

**UK** Installation instructions

**FI** Asennusohje

**LV** Instalācijas instrukcija

**DE** Montageanleitung

**FR** Notice de montage

**NO** Monteringsanvisning

**CZ** Montážní návod

**HU** Szerelési útmutató

**PL** Instrukcja montażu

**DK** Monteringsvejledning

**IT** Istruzioni di montaggio

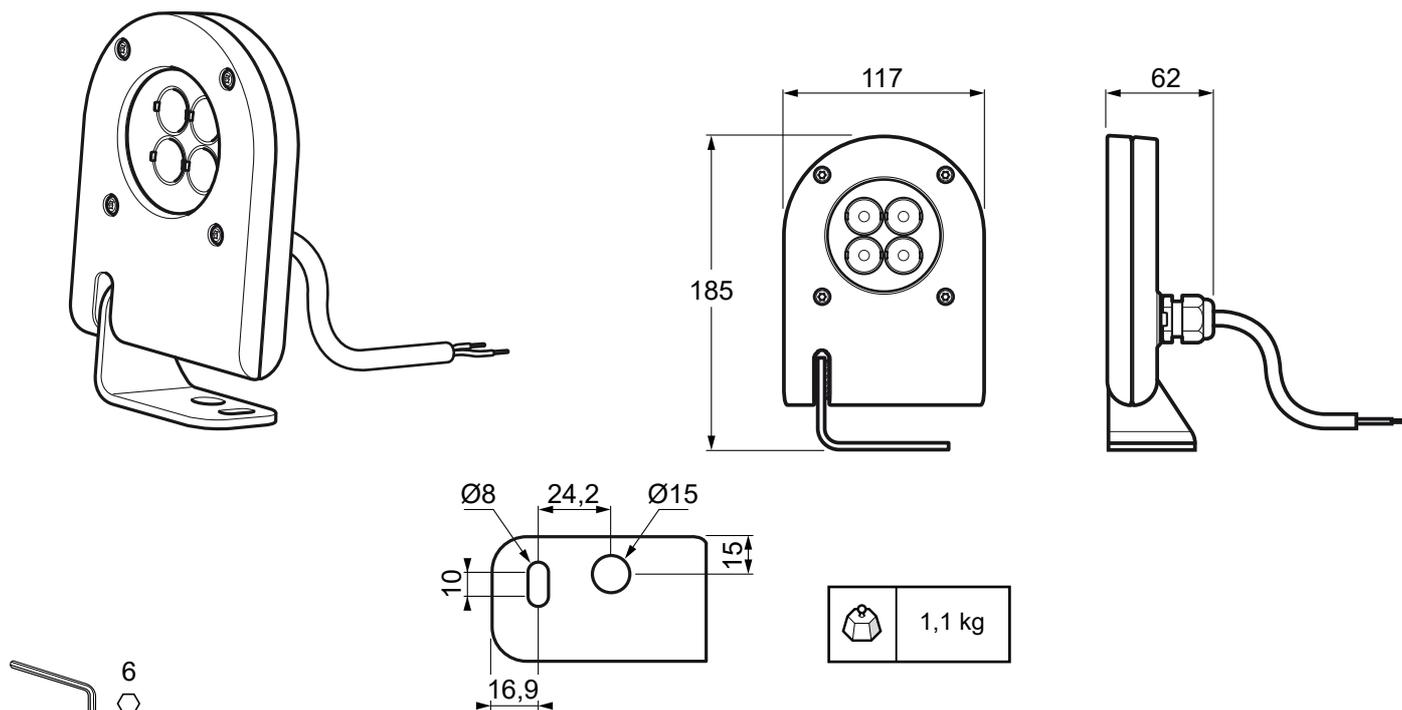
**SE** Installationsanvisning

**EE** Paigaldusjuhend

**LT** Montavimo Instrukcijos

**RU** ИНСТРУКЦИЯ ПО МОНТАЖУ

TYPE : CONTRAST 2 LED S

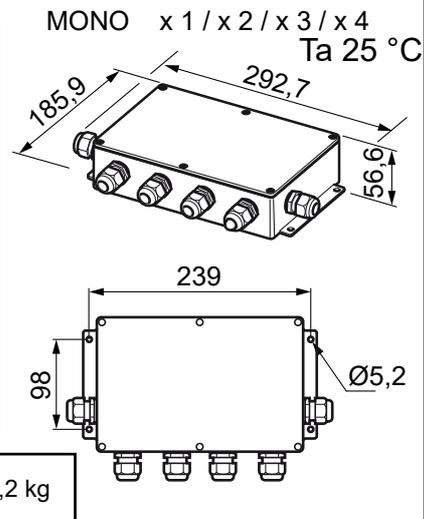
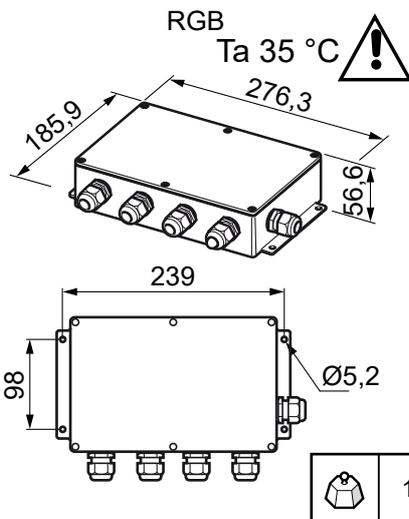
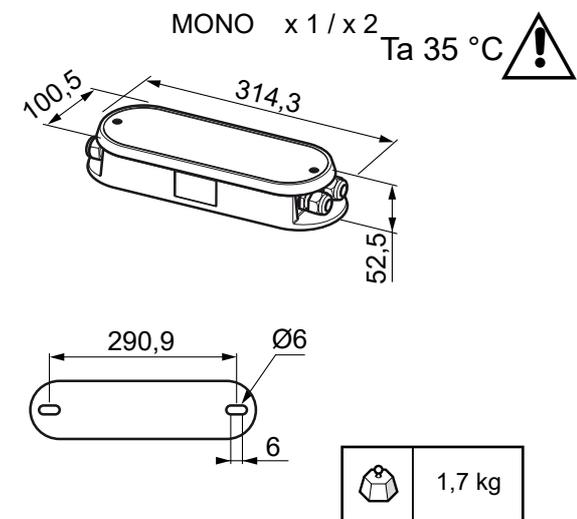


CLASS III

IP66 IK08 Ta 50 °C



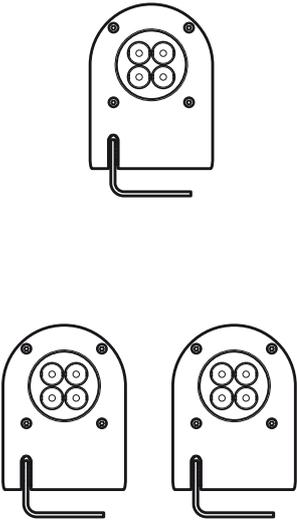
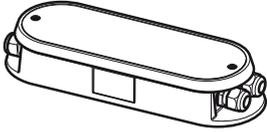
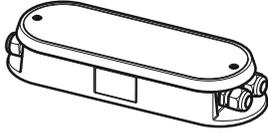
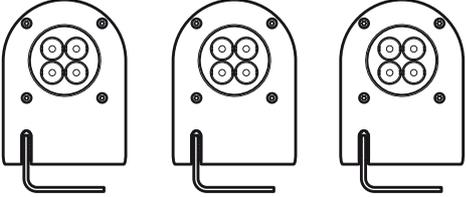
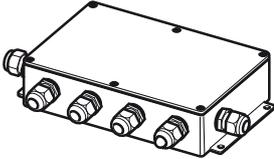
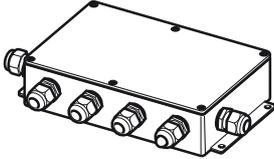
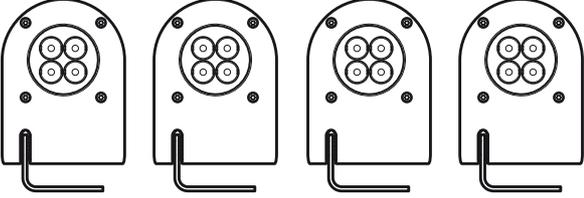
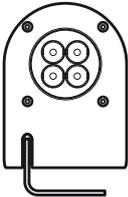
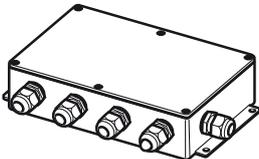
The luminaire with clear optic should be positioned so that prolonged staring into the luminaire at a distance <2m is not expected



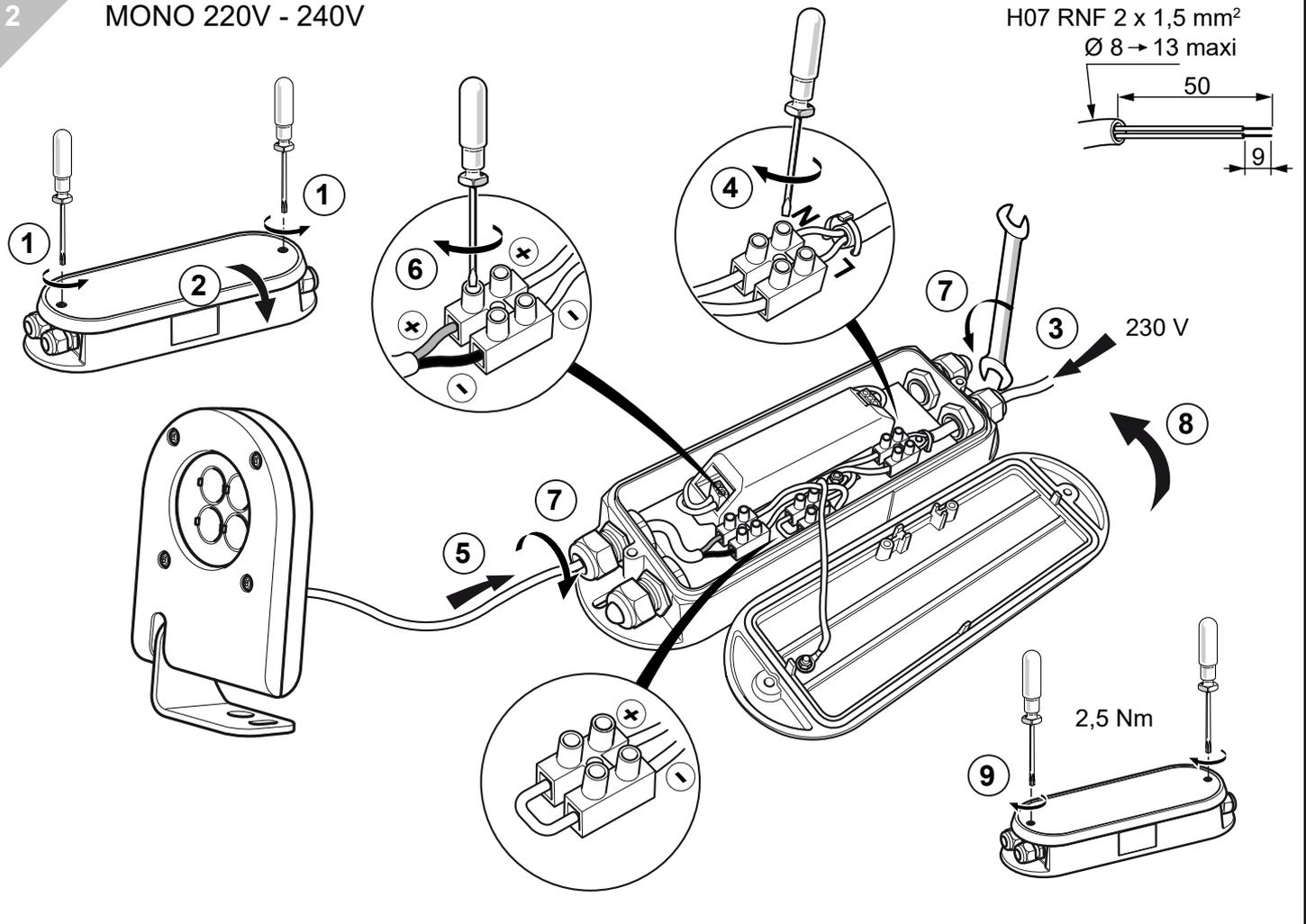
CLASS II

IP66

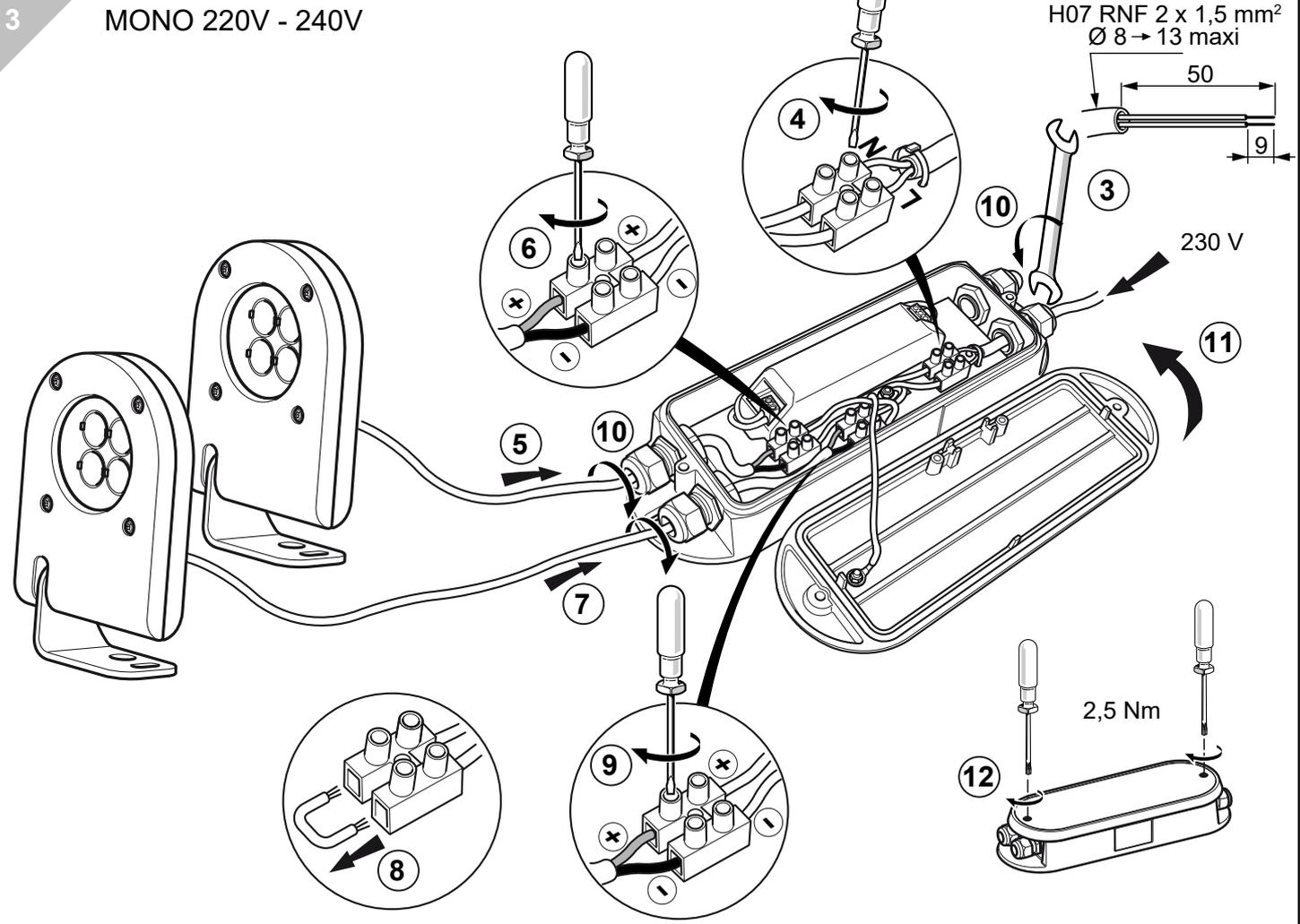
IK08

<p>1</p>	<p>MONO</p>	<p>COLOUR 700 mA</p>	<p>WHITE 1A</p>
	 <p>Code : 96261898</p>	 <p>Code : 96261425</p>	
	 <p>Code : 96261899</p>	 <p>Code : 96261427</p>	
	<p>Code : 96261899</p>	<p>Code : 96261427</p>	
<p>RGB DMX</p>	<p>700 mA</p>		
	 <p>Code : 96261426</p>		

2 MONO 220V - 240V



3 MONO 220V - 240V



4

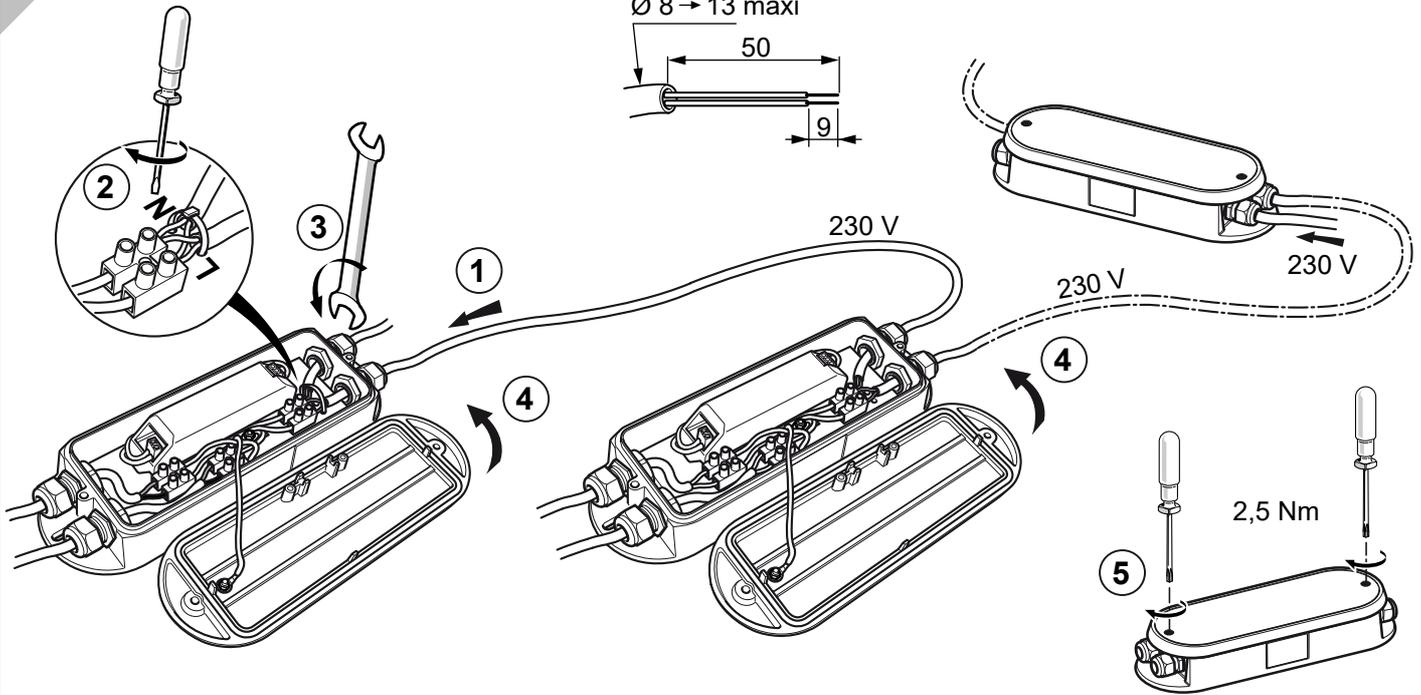
MONO 220V - 240V

H07 RNF 2 x 1,5 mm<sup>2</sup>

Ø 8 → 13 maxi

50

9



5

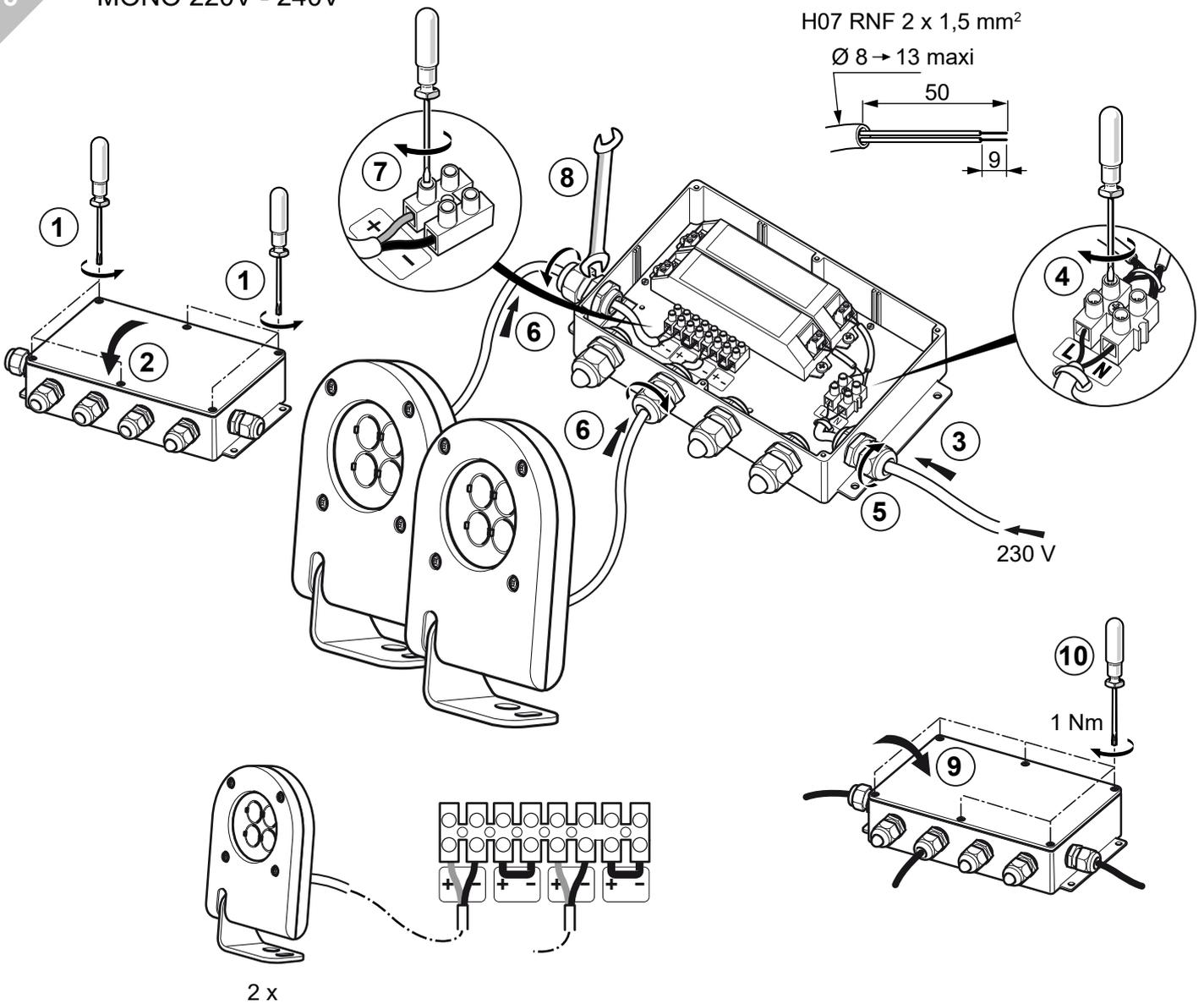
MONO 220V - 240V

H07 RNF 2 x 1,5 mm<sup>2</sup>

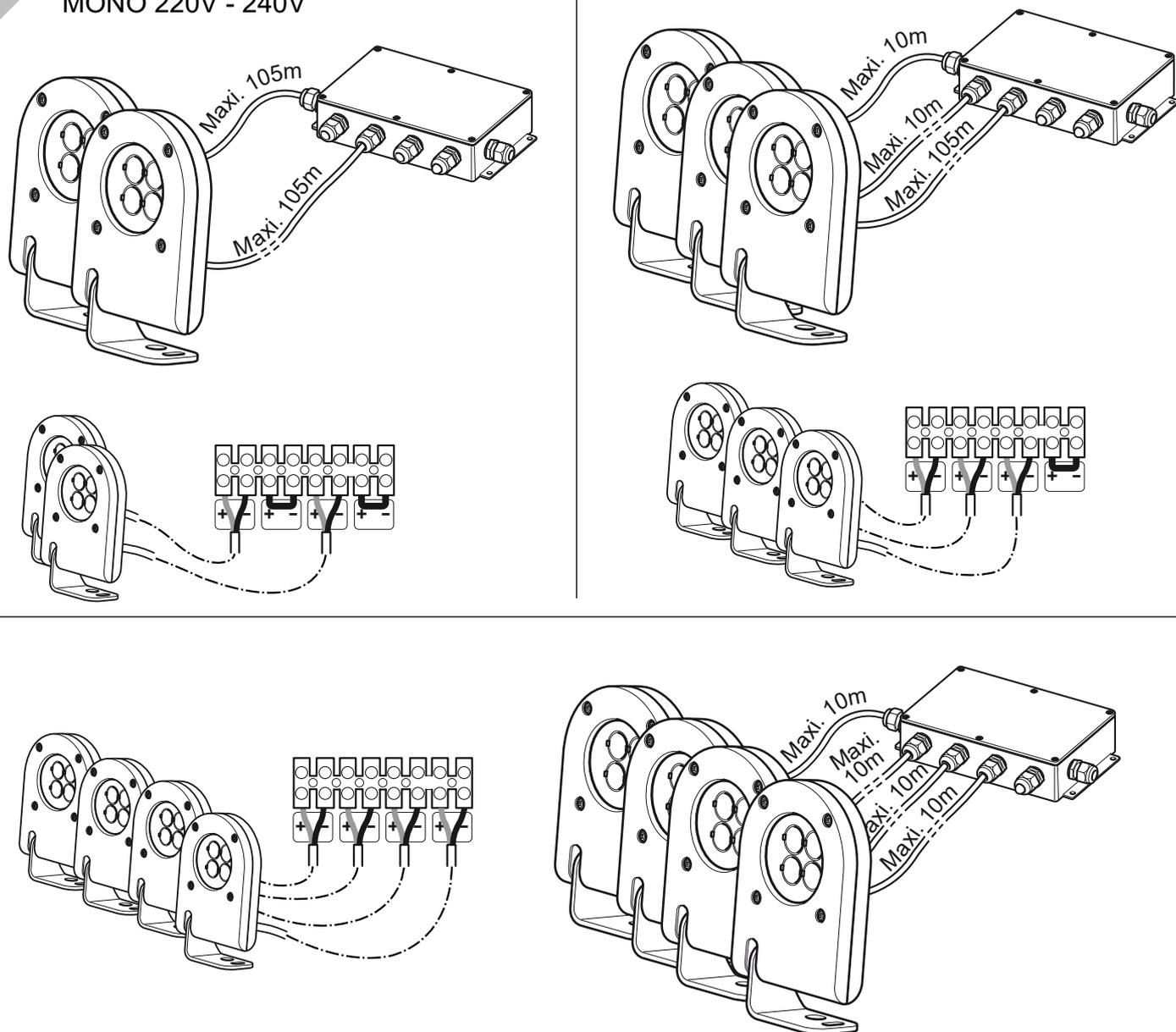
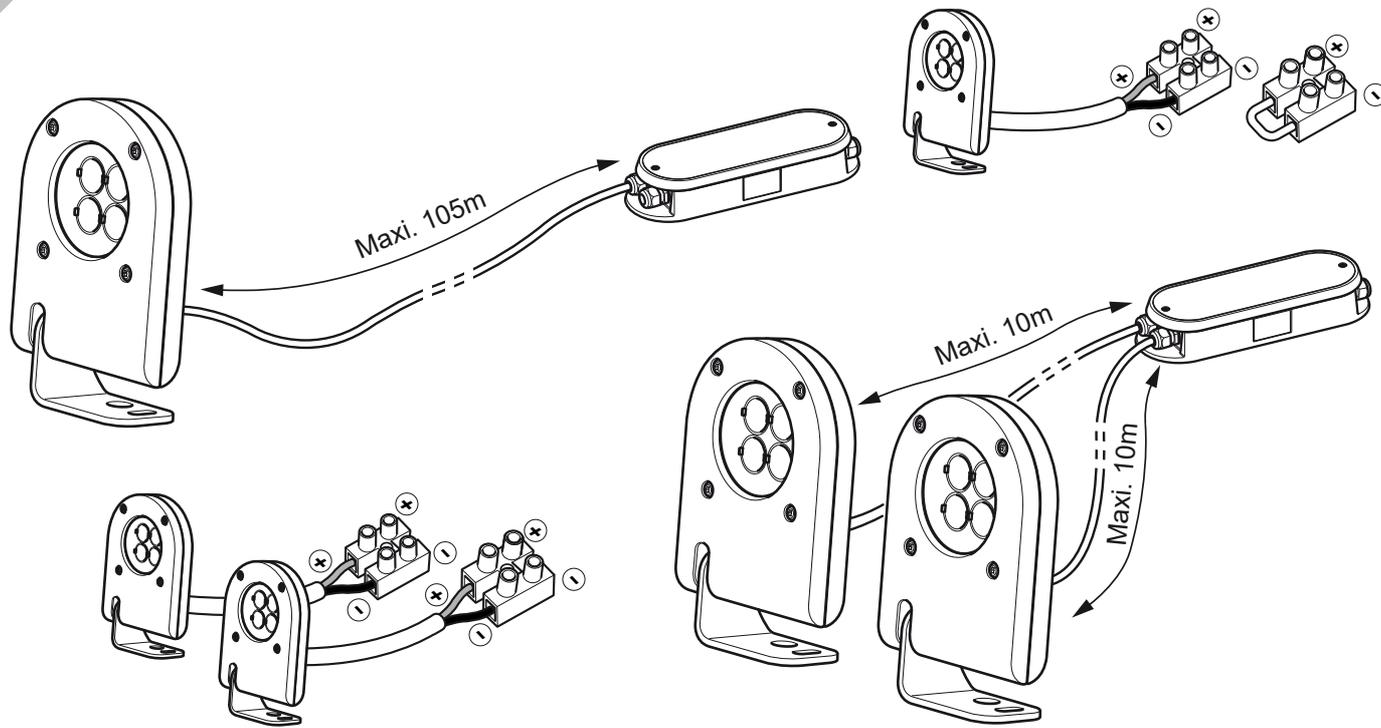
Ø 8 → 13 maxi

50

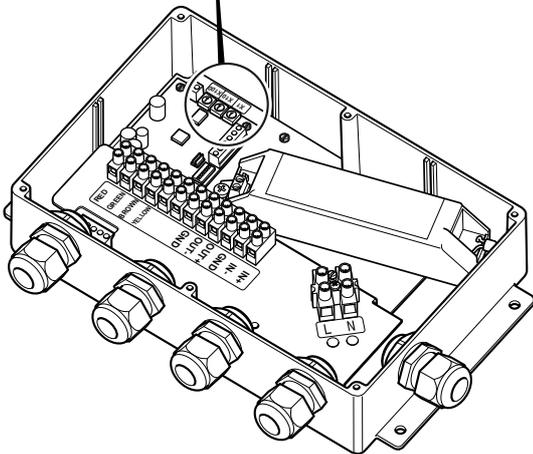
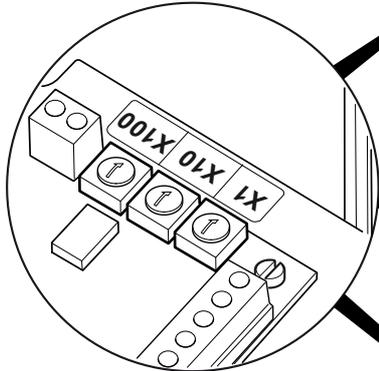
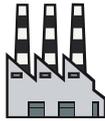
9











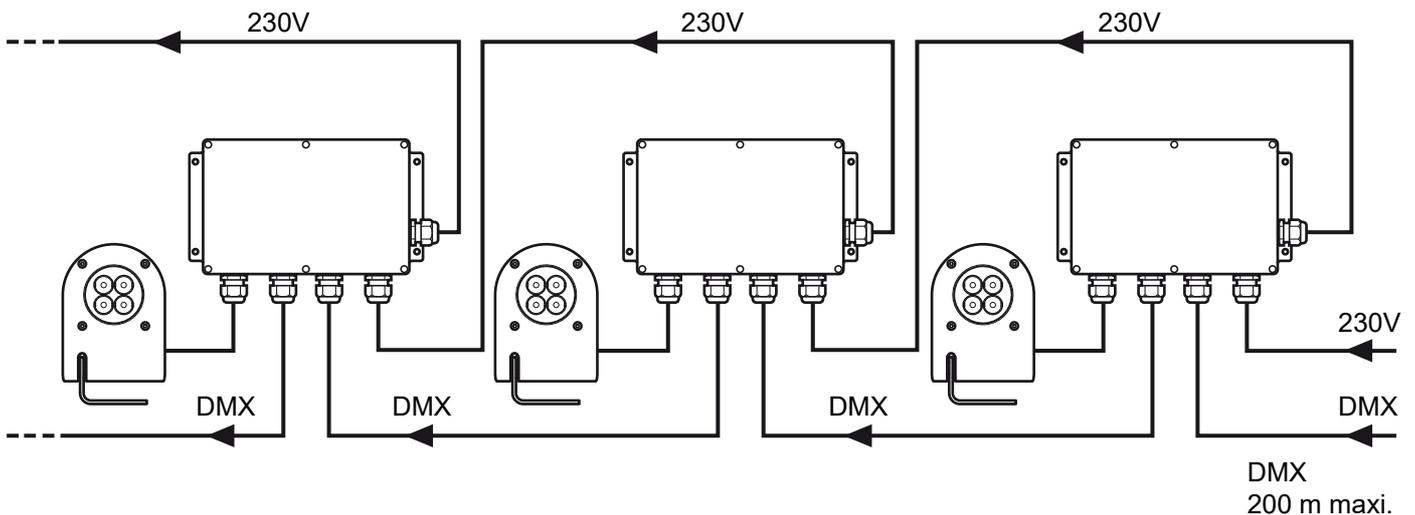
Address	100	10	1																										
	<table border="1"> <tr><td>1</td><td>2 3</td><td>4</td></tr> <tr><td>0</td><td>←</td><td>5</td></tr> <tr><td>9</td><td>8 7</td><td>6</td></tr> </table>	1	2 3	4	0	←	5	9	8 7	6	<table border="1"> <tr><td>1</td><td>2 3</td><td>4</td></tr> <tr><td>0</td><td>←</td><td>5</td></tr> <tr><td>9</td><td>8 7</td><td>6</td></tr> </table>	1	2 3	4	0	←	5	9	8 7	6	<table border="1"> <tr><td>1</td><td>2 3</td><td>4</td></tr> <tr><td>0</td><td>←</td><td>5</td></tr> <tr><td>9</td><td>8 7</td><td>6</td></tr> </table>	1	2 3	4	0	←	5	9	8 7
1	2 3	4																											
0	←	5																											
9	8 7	6																											
1	2 3	4																											
0	←	5																											
9	8 7	6																											
1	2 3	4																											
0	←	5																											
9	8 7	6																											
001	0 ←	0 ←	1 ↘																										

AUTOMATIC MODES

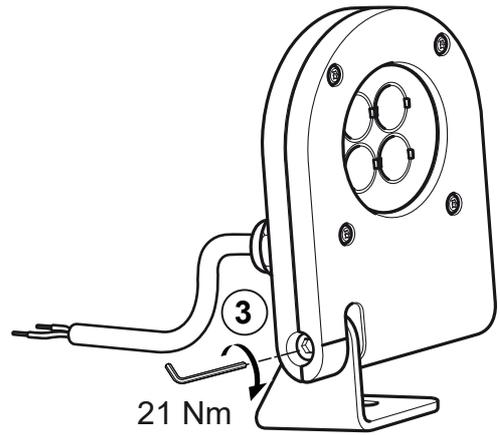
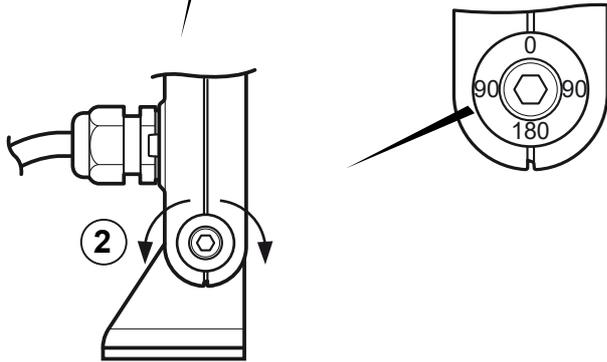
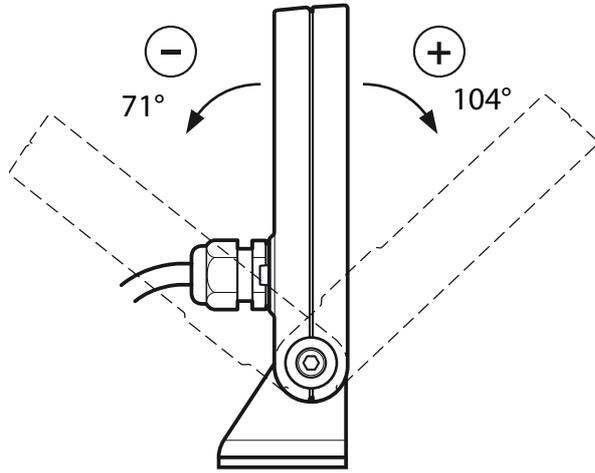
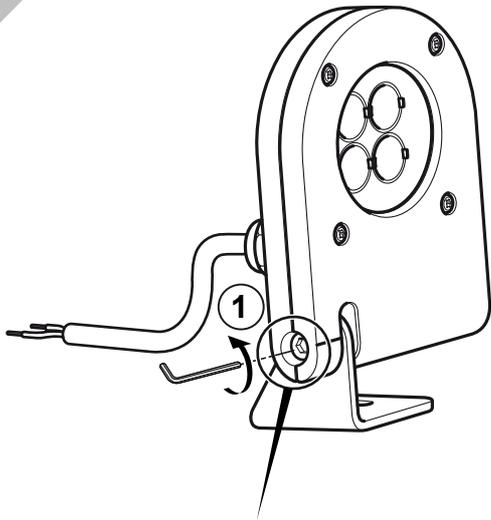
Mode	100	10	1																										
	<table border="1"> <tr><td>1</td><td>2 3</td><td>4</td></tr> <tr><td>0</td><td>←</td><td>5</td></tr> <tr><td>9</td><td>8 7</td><td>6</td></tr> </table>	1	2 3	4	0	←	5	9	8 7	6	<table border="1"> <tr><td>1</td><td>2 3</td><td>4</td></tr> <tr><td>0</td><td>←</td><td>5</td></tr> <tr><td>9</td><td>8 7</td><td>6</td></tr> </table>	1	2 3	4	0	←	5	9	8 7	6	<table border="1"> <tr><td>1</td><td>2 3</td><td>4</td></tr> <tr><td>0</td><td>←</td><td>5</td></tr> <tr><td>9</td><td>8 7</td><td>6</td></tr> </table>	1	2 3	4	0	←	5	9	8 7
1	2 3	4																											
0	←	5																											
9	8 7	6																											
1	2 3	4																											
0	←	5																											
9	8 7	6																											
1	2 3	4																											
0	←	5																											
9	8 7	6																											
Test	0	0	0																										
Rainbow RGB	6	1	<table border="1"> <tr><td>0</td><td>→</td><td>9</td></tr> <tr><td>↻</td><td></td><td>↻</td></tr> </table>	0	→	9	↻		↻																				
0	→	9																											
↻		↻																											
Pastel	6	2																											
Warm	6	3																											
Cold	6	4																											
Shiny	6	6																											

DMX ADDRESS EXAMPLE

Address	100	10	1																											
	<table border="1"> <tr><td>1</td><td>2 3</td><td>4</td></tr> <tr><td>0</td><td>←</td><td>5</td></tr> <tr><td>9</td><td>8 7</td><td>6</td></tr> </table>	1	2 3	4	0	←	5	9	8 7	6	<table border="1"> <tr><td>1</td><td>2 3</td><td>4</td></tr> <tr><td>0</td><td>←</td><td>5</td></tr> <tr><td>9</td><td>8 7</td><td>6</td></tr> </table>	1	2 3	4	0	←	5	9	8 7	6	<table border="1"> <tr><td>1</td><td>2 3</td><td>4</td></tr> <tr><td>0</td><td>←</td><td>5</td></tr> <tr><td>9</td><td>8 7</td><td>6</td></tr> </table>	1	2 3	4	0	←	5	9	8 7	6
1	2 3	4																												
0	←	5																												
9	8 7	6																												
1	2 3	4																												
0	←	5																												
9	8 7	6																												
1	2 3	4																												
0	←	5																												
9	8 7	6																												
059	<table border="1"> <tr><td>1</td><td>2 3</td><td>4</td></tr> <tr><td>0</td><td>←</td><td>5</td></tr> <tr><td>9</td><td>8 7</td><td>6</td></tr> </table>	1	2 3	4	0	←	5	9	8 7	6	<table border="1"> <tr><td>1</td><td>2 3</td><td>4</td></tr> <tr><td>0</td><td>→</td><td>5</td></tr> <tr><td>9</td><td>8 7</td><td>6</td></tr> </table>	1	2 3	4	0	→	5	9	8 7	6	<table border="1"> <tr><td>1</td><td>2 3</td><td>4</td></tr> <tr><td>0</td><td>↘</td><td>5</td></tr> <tr><td>9</td><td>8 7</td><td>6</td></tr> </table>	1	2 3	4	0	↘	5	9	8 7	6
1	2 3	4																												
0	←	5																												
9	8 7	6																												
1	2 3	4																												
0	→	5																												
9	8 7	6																												
1	2 3	4																												
0	↘	5																												
9	8 7	6																												
099	<table border="1"> <tr><td>1</td><td>2 3</td><td>4</td></tr> <tr><td>0</td><td>←</td><td>5</td></tr> <tr><td>9</td><td>8 7</td><td>6</td></tr> </table>	1	2 3	4	0	←	5	9	8 7	6	<table border="1"> <tr><td>1</td><td>2 3</td><td>4</td></tr> <tr><td>0</td><td>↘</td><td>5</td></tr> <tr><td>9</td><td>8 7</td><td>6</td></tr> </table>	1	2 3	4	0	↘	5	9	8 7	6	<table border="1"> <tr><td>1</td><td>2 3</td><td>4</td></tr> <tr><td>0</td><td>↘</td><td>5</td></tr> <tr><td>9</td><td>8 7</td><td>6</td></tr> </table>	1	2 3	4	0	↘	5	9	8 7	6
1	2 3	4																												
0	←	5																												
9	8 7	6																												
1	2 3	4																												
0	↘	5																												
9	8 7	6																												
1	2 3	4																												
0	↘	5																												
9	8 7	6																												
126	<table border="1"> <tr><td>1</td><td>2 3</td><td>4</td></tr> <tr><td>0</td><td>↘</td><td>5</td></tr> <tr><td>9</td><td>8 7</td><td>6</td></tr> </table>	1	2 3	4	0	↘	5	9	8 7	6	<table border="1"> <tr><td>1</td><td>2 3</td><td>4</td></tr> <tr><td>0</td><td>↘</td><td>5</td></tr> <tr><td>9</td><td>8 7</td><td>6</td></tr> </table>	1	2 3	4	0	↘	5	9	8 7	6	<table border="1"> <tr><td>1</td><td>2 3</td><td>4</td></tr> <tr><td>0</td><td>↘</td><td>5</td></tr> <tr><td>9</td><td>8 7</td><td>6</td></tr> </table>	1	2 3	4	0	↘	5	9	8 7	6
1	2 3	4																												
0	↘	5																												
9	8 7	6																												
1	2 3	4																												
0	↘	5																												
9	8 7	6																												
1	2 3	4																												
0	↘	5																												
9	8 7	6																												
154	<table border="1"> <tr><td>1</td><td>2 3</td><td>4</td></tr> <tr><td>0</td><td>↘</td><td>5</td></tr> <tr><td>9</td><td>8 7</td><td>6</td></tr> </table>	1	2 3	4	0	↘	5	9	8 7	6	<table border="1"> <tr><td>1</td><td>2 3</td><td>4</td></tr> <tr><td>0</td><td>→</td><td>5</td></tr> <tr><td>9</td><td>8 7</td><td>6</td></tr> </table>	1	2 3	4	0	→	5	9	8 7	6	<table border="1"> <tr><td>1</td><td>2 3</td><td>4</td></tr> <tr><td>0</td><td>↘</td><td>5</td></tr> <tr><td>9</td><td>8 7</td><td>6</td></tr> </table>	1	2 3	4	0	↘	5	9	8 7	6
1	2 3	4																												
0	↘	5																												
9	8 7	6																												
1	2 3	4																												
0	→	5																												
9	8 7	6																												
1	2 3	4																												
0	↘	5																												
9	8 7	6																												

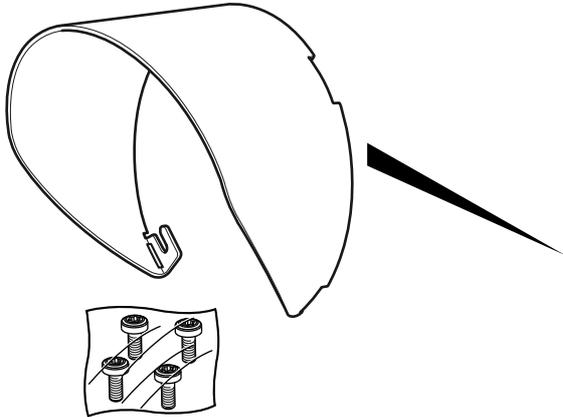


12



13

Code : 96261859



Code : 96261860  
Code : 96261861  
Code : 96261862

