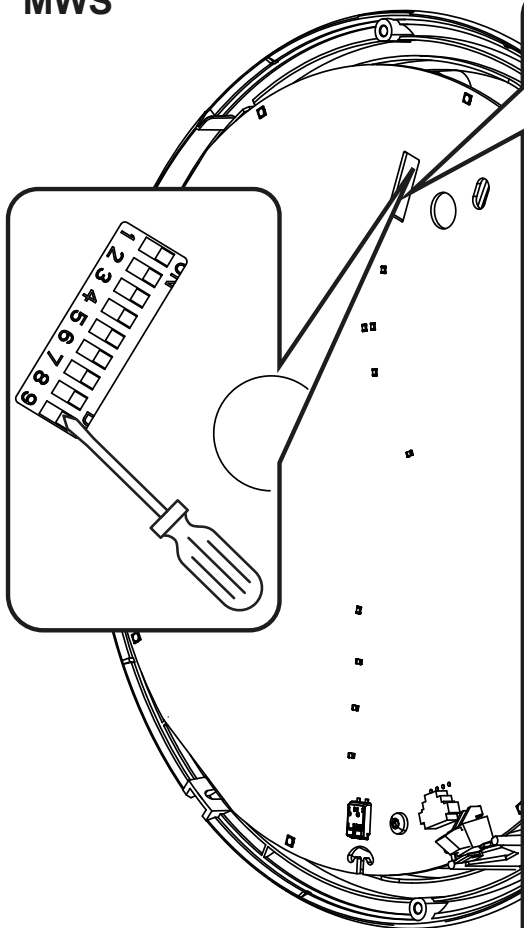
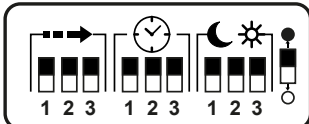


MWS



DEFAULT 100%
 DÉFAUT 5 Secs
 STANDARD Disabled



Detection Area

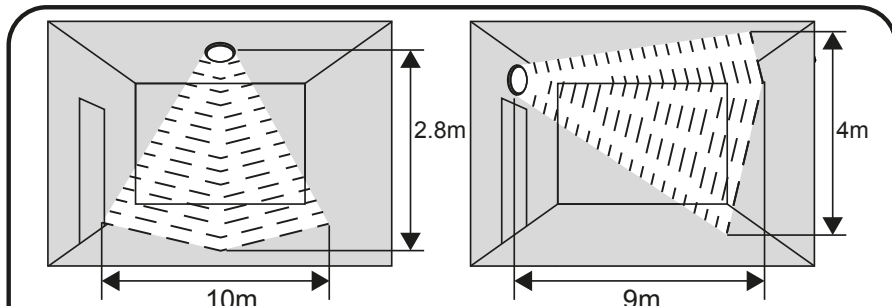
	1	2	3	
I	●	●	●	100%
II	○	●	●	75%
III	○	●	○	50%
IV	○	○	●	30%
V	○	○	○	10%

Hold Time

	1	2	3	
I	●	●	●	5 Secs
II	●	○	●	30 Secs
III	●	○	○	1 Min
IV	○	●	●	5 Min
V	○	●	○	10 Min
VI	○	○	●	20 Min
VII	○	○	○	30 Min

Daylight Sensor

	1	2	3	
I	●	●	●	Disable
II	○	●	●	50 Lux
III	○	●	○	20 Lux
IV	○	○	●	5 Lux
V	○	○	○	2 Lux

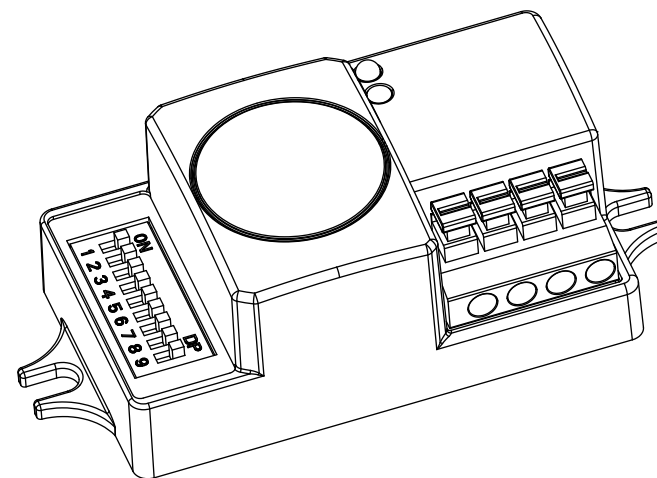


Reflected HF waves (e.g. from walls, floors, ceilings or furniture) or from other transmitters can affect motion detection. Luminaire not suitable for mounting on metal surfaces as it can cause false triggering of the sensor.



96402470PA

THORN



Sensor Settings

MWS

COR MWS

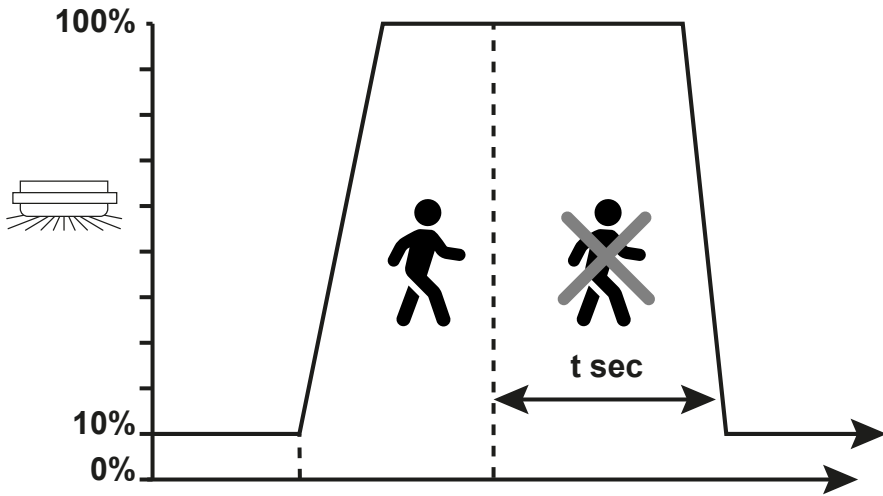
COZ MWS

CE

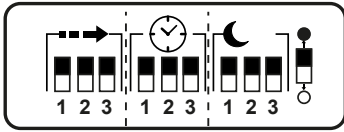
- [CZ] Montážní návod
- [DE] Montageanleitung
- [DK] Monteringsvejledning
- [EE] Paigaldusjuhend
- [FI] Asennusohje
- [FR] Notice de montage
- [HU] Szerelési útmutató
- [IT] Istruzioni di montaggio

- [LT] Montavimo Instrukcijos
- [LV] Instalācijas instrukcija
- [NO] Monteringsanvisning
- [PL] Instrukcja montażu
- [RU] Инструкция по монтажу
- [SE] Installationsanvisning
- [UK] Installation Instructions

COR MWS



DEFAULT → 100%
 DÉFAUT → 5 Secs
 STANDARD → Disabled



Detection Area →

	1	2	3	
I	●	●	●	100%
II	○	●	●	75%
III	○	●	○	50%
IV	○	○	●	30%
V	○	○	○	10%

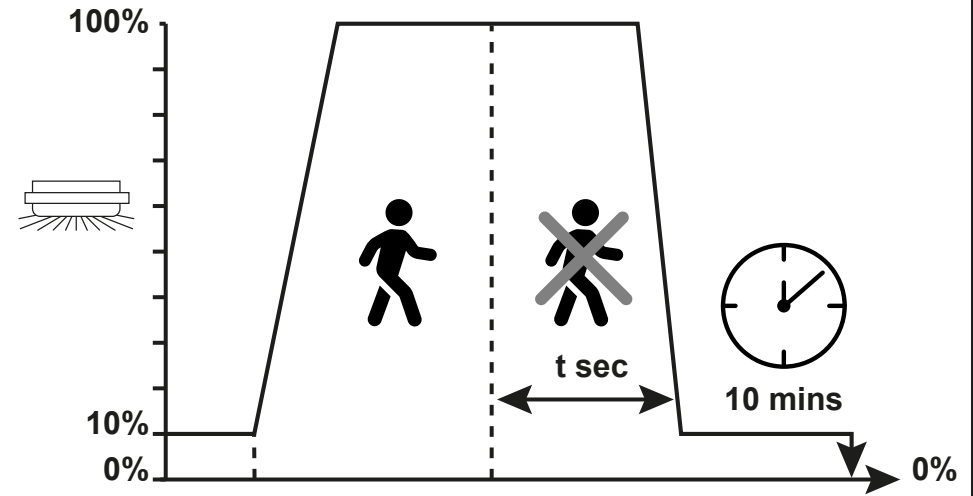
Hold Time (t sec)

	1	2	3	
I	●	●	●	5 Secs
II	●	○	●	30 Secs
III	●	○	○	1 Min
IV	○	●	●	5 Min
V	○	●	○	10 Min
VI	○	○	●	20 Min
VII	○	○	○	30 Min

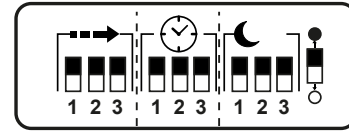
~~Daylight Sensor~~

	1	2	3	
I	●	●	●	Disable
II	○	●	●	50 Lux
III	○	●	○	20 Lux
IV	○	○	●	5 Lux
V	○	○	○	2 Lux

COZ MWS



DEFAULT → 100%
 DÉFAUT → 5 Secs
 STANDARD → Disabled



Detection Area →

	1	2	3	
I	●	●	●	100%
II	○	●	●	75%
III	○	●	○	50%
IV	○	○	●	30%
V	○	○	○	10%

Hold Time (t sec)

	1	2	3	
I	●	●	●	5 Secs
II	●	○	●	30 Secs
III	●	○	○	1 Min
IV	○	●	●	5 Min
V	○	●	○	10 Min
VI	○	○	●	20 Min
VII	○	○	○	30 Min

Daylight Sensor

	1	2	3	
I	●	●	●	Disable
II	○	●	●	50 Lux
III	○	●	○	20 Lux
IV	○	○	●	5 Lux
V	○	○	○	2 Lux