

THORN
LIGHTING



PRIMATA

The complete trunking system for easy project planning
and rapid installation





RAPID INSTALLATION LOW COMPLEXITY EASY PLANNING

Primata is a highly modular trunking system with a variety of lighting distributions, providing easy project planning for lighting applications such as industry, retail, warehouses and supermarkets.

DISCOVER PRIMATA

Primata is suitable for ceiling fixing or suspended mounting and is designed for rapid, tool-free installation. Primata allows for additional options such as emergency and PST motion detection sensors.

3-PHASE SUPPLY



END CAP



Side cover strip

LED MODULE 3000 mm

Also available as end module without connector.

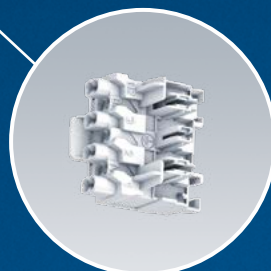


LED MODULE 2000 mm

Also available as end module without connector.

Infill module 3000 mm

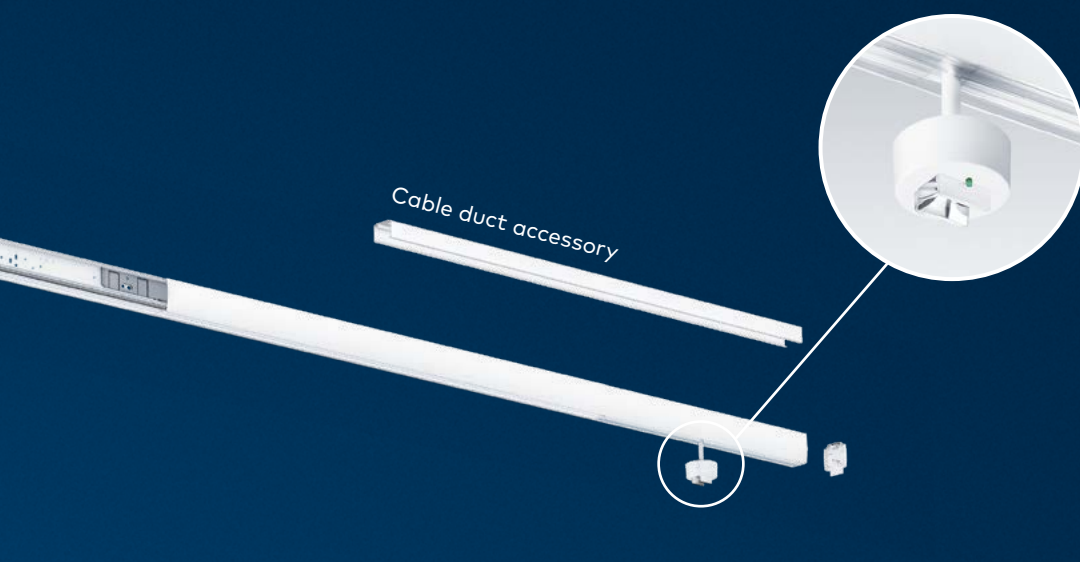
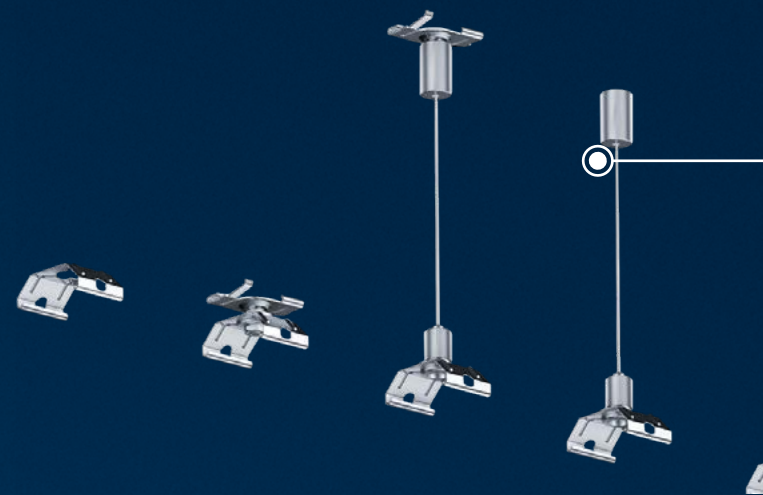
ELECTRICAL FEED



Infill module 2000 mm

MOUNTING KITS

- Direct ceiling fixing component
- Caddy clip fixing component
- 1 m/2 m/5 m cord suspension with caddy clip
- 1 m/2 m/5 m cord suspension wire
- Chain suspension fixing component



Different additional modules available.

ADDITIONAL MODULES AVAILABLE



**VOYAGER STAR
ESCAPE ROUTE LIGHTING**
Also available as end module
without connector



**VOYAGER STAR
EMERGENCY ANTI-PANIC LIGHTING**
Also available as end module
without connector



**MOTION DETECTION
SENSOR (PST)**
Also available as end module
without connector

A MODULAR LIGHTING SYSTEM

**EASY TO PLAN, EASY TO INSTALL
AND HIGHLY ENERGY EFFICIENT**

The Primata modular system is an all-in-one solution: track, batten, optic and LED combined to create continuous light lines. All common lighting tasks are covered, thanks to different mounting options and modules in a variety of lengths. Users can choose a wide-beam optic optimised for larger areas such as industrial spaces, a double asymmetric optic perfect to light the shelves in a retail or logistics aisle, or narrow-beam optic for warehouses with long and high rows of shelving. By simply combining LED modules and blank modules, the Primata continuous-row lighting system can be adjusted to the needs of each specific application. The luminaire

can be ordered simply and installed quickly. Primata provides a comfortable colour temperature of 4000K and good colour rendering index (CRI) of 80.

Primata has a rated lifetime of up to L90@ 50 000 hours, meaning that after 50 000 hours of operation 90% of the initial light output will still be available. Incorporated presence detectors make it easy to improve energy efficiency. Modules with integral three hours emergency batteries are also available.

APPLICATIONS AND LIGHT DISTRIBUTIONS:



NARROW BEAM

Suited to storage or retail spaces with higher ceilings and narrow spaces between racks where light is needed at bottom shelf, e.g. narrow racked rooms, picking areas in logistics, file storage.



WIDE BEAM

Appropriate for larger open areas where light from more than one direction is important. Used in areas without fixed shelving but where movement and stacking of boxes may happen or where machinery needs lighting e.g. open retail, logistics warehouses or industrial production spaces.



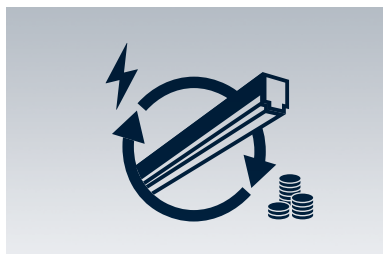
DOUBLE ASYMMETRIC

Perfect to light products lining shelves either side of a retail or logistics aisle e.g. store rooms or shelved retail spaces where the lighting runs along the direction of the shelving.



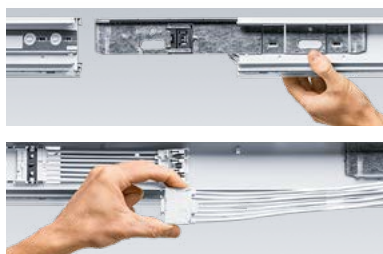
One system, so many options

Primata opens up endless possibilities. Create your own design by choosing your light distribution and where to insert blank modules. The luminaries can be combined to produce continuous (100%) lines of light or can be used in combination with the infills to achieve different light requirements (e.g. 75%, 50%). Primata is available with narrow, wide and double asymmetric beam optics. Emergency and PST motion detection sensors are also available.



High output, low energy

Primata provides highly uniform light and boasts luminous efficacy of up to 160 lm/W. There's no relamping required, so big savings can be made on maintenance. Additional savings can be made through dimming and by linking to the PST motion detection sensor that ensures only determined lights are turned on, saving energy during periods of low occupancy.



Plug-in system for the perfect fit

Both mechanical and electrical connection is tool-less: the modules slot together and lock in place while the easy plug-in feed provides hassle-free electrical connection, minimising installation time. For through-wiring, seven prewired poles are simply plugged together. Based on 3-phase supply, up to 3 luminaire groups can be created. In this way, several areas can be defined, or only every second or third luminaire can be switched whenever lower lighting levels are required. After connection and installation of the system, the lateral covers are clipped on to create an unobtrusive, uniform surface.

IMPORTANT:

After a total length of 50 m, we recommend to use an additional feed

TECHNICAL DATA



<p>WIDE BEAM NARROW BEAM DOUBLE ASYMMETRIC</p>	<p>FOR 2 m LENGTH: 4600 lm 7400 lm 12 000 lm FOR 3 m LENGTH: 6600 lm 11 000 lm 19 000 lm</p>	<p>UP TO 160 lm/W</p>	<p>4000K</p>	<p>IK02</p>	<p>50 000 HOURS UP TO L90@TA 25°C</p>
<p>UGR <22</p>	<p>FIXED OUTPUT, DALI DIMMABLE</p>	<p>80</p>	<p>E3</p>	<p>-20°C +35°C (+5°C TO +25°C FOR EMERGENCY VERSIONS)</p>	<p>IP20</p>

APPLICATIONS

<p>INDUSTRY</p>	<p>WAREHOUSES</p>
<p>RETAIL</p>	

MOUNTING TYPES

<p>Surface-mounted</p>
<p>Suspended</p> <p>(1 m, 2 m and 5 m suspension options)</p>

DIMENSIONS

LENGTHS

<p>LED modules: 2000 mm, 3000 mm</p>
<p>Infill modules: 750 mm, 1000 mm, 1500 mm, 2000 mm, 3000 mm</p>

MATERIAL

- Mounting kits:**
Stainless steel
- Luminaire and infills:**
Roll-formed sheet steel in white polyester lacquered finish
- End caps:**
Plastic

Configure the ideal product solution with myProduct. The myProduct configurator allows you to easily configure a luminaire according to your needs. **Try it now at** www.thornlighting.com/myproduct



As a globally leading luminaire manufacturer, Thorn Lighting provides a five-year warranty for its complete product range within all European Countries. thornlighting.com/guarantee

Thorn Lighting is constantly developing and improving its products. All descriptions, illustrations, drawings and specifications in this publication present only general particulars and shall not form part of any contract. The right is reserved to change specifications without prior notification or public announcement. All goods supplied by the company are supplied subject to the company's General Conditions of Sale, a copy of which is available on request. All measurements are in millimetres and weights in kilograms unless otherwise stated. 04/2020 (INT)

**WE
MAKE
LIGHT
WORK**