

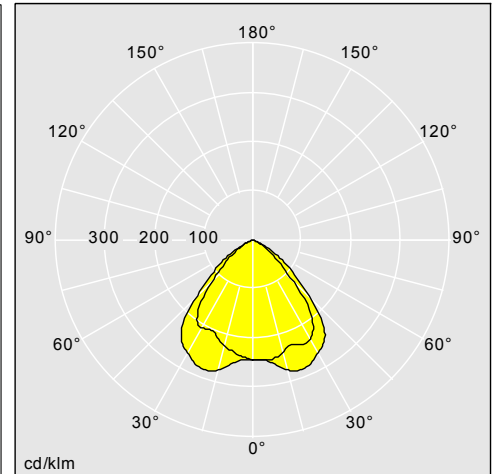
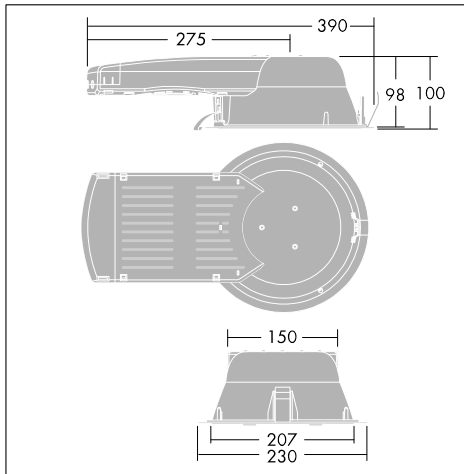
Cetus

Compact recessed low height downlight range, especially designed for 18/26W fluorescent lamps

- Simple and quick to install. Reflector remains in place when mounting into the ceiling using the spring clips.
- One size family (ceiling cut-out Ø210mm) with low 100mm height / mounting void depth 120mm, suitable for ceiling thicknesses between 1-25mm
- 3 hour maintained emergency versions with remote gear
- Range of attachments, including tri-vane louvre and IP44 cover



Photographs, line drawings and photometric data are representative only. For specific product detail please select an individual product.



96107223

Material/Finish

Body: polycarbonate, white
 Gear housing: polycarbonate, black
 Reflector: specular vacuum metallised plastic
 Attachments: polycarbonate/glass
 Fixing mechanism: steel

Installation/Mounting

Tool-free installation. Integrated strain relief. 3 pole piano key terminal block. Adjustable spring clips for fixation. (1-25mm ceiling thickness).

Specification

To specify state:

Recessed downlight, mains/emergency, single/twin (horizontal only), for 18/26W TC-DEL lamps. Specular reflector with basic choice of attachments.

As Thorn Cetus

Cetus

Ordering Guide Supplied with or without lamps

Description	ILCOS Code	Socket	Wt (kg)	SAP Code
Cetus Class I electrical, complete with lamps				
CETUS 1x26W TC-DEL HF L840	FSQ	G24q-3	0,6	96107209
Cetus Class I/II electrical, complete with lamps				
CETUS 1x18W TC-DEL HF L840	FSQ	G24q-2	0,6	96107208
CETUS 2x18W TC-DEL HF L840	FSQ	G24q-2	0,6	96107210
CETUS 2x26W TC-DEL HF L840	FSQ	G24q-3	0,6	96107211
CETUS 1x26W TC-DEL HF SR2 L830	FSQ	G24q-3	0,6	96107635
CETUS 2x26W TC-DEL HF SR2 L830	FSQ	G24q-3	0,6	96107637
CETUS 2x18W TC-DEL HF SR2 L830	FSQ	G24q-2	0,6	96107636
Cetus Emergency, complete with lamps (remote gear)				
CETUS 1x18W TC-DEL HF E3 L840	FSQ	G24q-2	1,3	96107212
CETUS 1x26W TC-DEL HF E3 L840	FSQ	G24q-3	1,3	96107213
CETUS 2x18W TC-DEL HF E3 L840	FSQ	G24q-2	1,4	96107214
CETUS 2x26W TC-DEL HF E3 L840	FSQ	G24q-3	1,5	96107215
Cetus Attachments				
CETUS GLASS CL			0,33	96107228
CETUS GLASS FR			0,33	96107229
CETUS DIFFUSER PC IP44 CL			0,15	96107230
CETUS DIFFUSER PC IP44 FR			0,15	96107231
CETUS TRI-VANE LOUVRE			0,07	96107232