

# Voyager LED Series

# THORN

## 96548992 VOYAGER C LED SPOT MRE E3M SIL



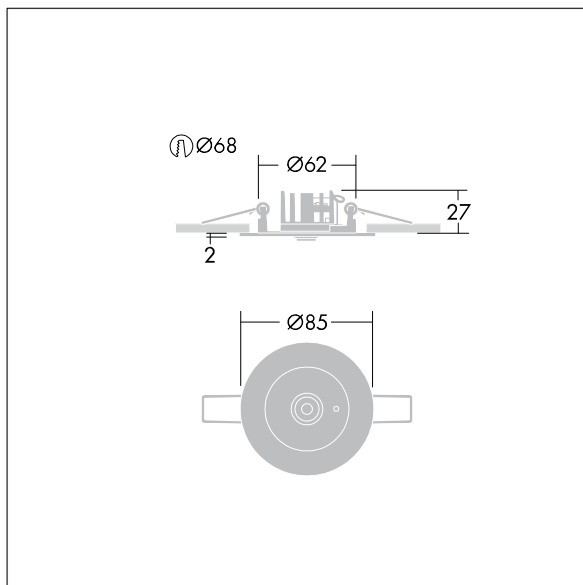
### Voyager LED Series

High performance, ceiling recessed, 3 hour manual test, emergency lighting luminaire for 1 x 3W LED with spot lighting optic. Housing manufactured from die-cast aluminium, powder coated silver. Class II electrical, ingress protection rated IP20 (IP40 from below). Electrical connection via 2 x 3 x 2.5mm<sup>2</sup> piano key terminals. Gear and NiMH batteries mounted into L-shaped white polycarbonate gear box. Suitable for mounting heights up to 7m. Can be operated in either maintained or non-maintained modes. Ceiling cutout Ø68mm, void 126mm

Total power: 5 W  
Dimensions: Ø85 x 28 mm  
Weight: 0.9 kg



TLG\_VYLD\_F\_AMRESIL2.jpg



TLG\_VYLD\_M\_MRE SPOT.wmf

All values marked with an \* are rated values. Thorn uses tried and tested components from leading suppliers, however there may be isolated instances of technology-related failures of individual LEDs during the rated product lifetime. International standards set the tolerance in initial flux and connected load at ±10%. Colour temperature is subject to a tolerance of up to +/-150 Kelvin from the nominal value. Unless stated otherwise, the values apply to an ambient temperature of 25°C.

In most products the failure of one LED point causes no functional impairment to the lighting performance of the luminaire and is therefore no reason for complaint. Unless otherwise stated all Thorn LED products are suitable for unrestricted use (rated RG0 or RG1) with regard photobiological blue light safety (IEC/EN60598-1).

Thorn Lighting is constantly developing and improving its products. The right is reserved to change specifications without prior notification or public announcement.  
© Thorn Lighting

## Voyager LED Series

96548992 VOYAGER C LED SPOT MRE E3M SIL

THORN