

StyLED

THORN

96270322 STYLED L 48L50 NR 740 CL1



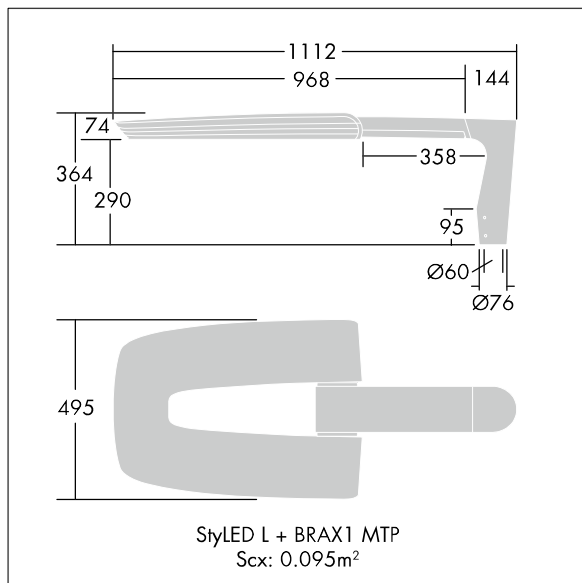
StyLED

A stylish, IP66, Class I electrical, road lighting lantern with 48 LEDs driven at 500mA with Narrow Road distribution in a long body outline. Body and bracket in die-cast aluminium, powder coated texturised light grey (close to RAL 9006). Flat toughened glass enclosure, self-cleaning treatment available on request. Mounting via complementary brackets, available separately, onto $\text{Ø}60 \times 90\text{mm}$ long spigot. Wall or mid-pole brackets are also available. Complete with 4000K LED

Dimensions: 968 x 495 x 74 mm
Total power: 77 W
Luminaire luminous flux: 8380 lm
Luminaire efficacy: 109 lm/W
Weight: 16.2 kg
Scx: 0.09 m²



TLG_STYL_F_LGLGPDB.jpg



TLG_STYL_M_LDLSHBSG.wmf

All values marked with an * are rated values. Thorn uses tried and tested components from leading suppliers, however there may be isolated instances of technology-related failures of individual LEDs during the rated product lifetime. International standards set the tolerance in initial flux and connected load at $\pm 10\%$. Colour temperature is subject to a tolerance of up to ± 150 Kelvin from the nominal value. Unless stated otherwise, the values apply to an ambient temperature of 25°C.

In most products the failure of one LED point causes no functional impairment to the lighting performance of the luminaire and is therefore no reason for complaint. Unless otherwise stated all Thorn LED products are suitable for unrestricted use (rated RG0 or RG1) with regard photobiological blue light safety (IEC/EN60598-1).

Thorn Lighting is constantly developing and improving its products. The right is reserved to change specifications without prior notification or public announcement.
© Thorn Lighting

StyLED

96270322 STYLED L 48L50 NR 740 CL1

THORN