

96221944 VICIA2 60L50 NR 740 CL2 HFX CLO

EN 55015:2006 + A1:2007	IP65	IK08				EAC	650 °C
-------------------------------	------	------	--	--	--	-----	--------

## Victoria

A large size LED street and urban luminaire, in a modern and timeless design. 60 LEDs driven at 500mA with Narrow Road optic. LED converter Constant light output control gear. Class II electrical, IP65. Body in aluminium, powder coated white. Enclosure: toughened flat glass. Luminaire to be suspended using brackets (Ø27G), post top, or wall mounted. Tool-free electrical connection via 2 x 2.5 mm<sup>2</sup> terminal block. Complete with 4000K LED

Dimensions: Ø705 x 435 mm

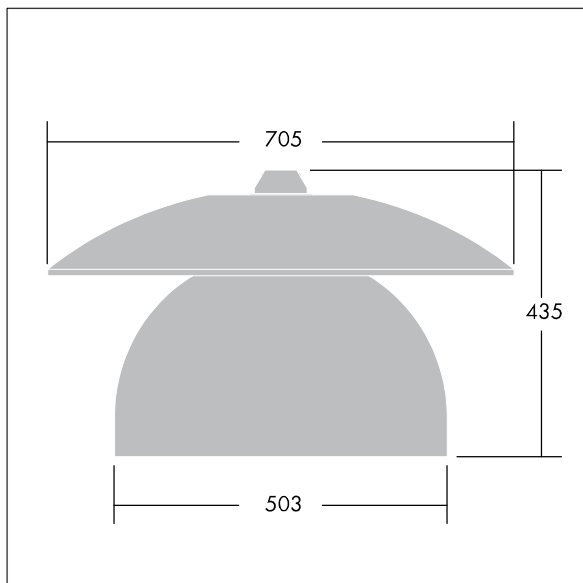
Total power: 81 W

Weight: 12.6 kg

Scx: 0.228 m<sup>2</sup>



TLG\_VCTA\_F\_PDB.jpg



TLG\_VCTA\_M\_SWLD2.wmf

All values marked with an \* are rated values. Thorn uses tried and tested components from leading suppliers, however there may be isolated instances of technology-related failures of individual LEDs during the rated product lifetime. International standards set the tolerance in initial flux and connected load at  $\pm 10\%$ . Colour temperature is subject to a tolerance of up to  $\pm 150$  Kelvin from the nominal value. Unless stated otherwise, the values apply to an ambient temperature of 25°C.

In most products the failure of one LED point causes no functional impairment to the lighting performance of the luminaire and is therefore no reason for complaint. Unless otherwise stated all Thorn LED products are suitable for unrestricted use (rated RG0 or RG1) with regard photobiological blue light safety (IEC/EN60598-1).

Thorn Lighting is constantly developing and improving its products. The right is reserved to change specifications without prior notification or public announcement.  
© Thorn Lighting