

Satin 2

96264962 SATIN2 MWA L630 24L35 32° 830 IN

IP67	IK08				EAC	850 °C	T _a 25
------	------	--	--	--	-----	--------	-------------------

Satin 2

A discreet linear floodlight for façade illumination applications. 24 LEDs driven at 350mA with 32° distribution. Electronic, fixed output control gear. Body: extruded aluminium (EN AW-6060 T6) painted textured silver grey. Sides: grey polycarbonate. Enclosure: UV stabilised polycarbonate. Stirrups: powder coated steel. Class II electrical, IP67, IK08. Surface mounted or recessed with optional ground recessed box. Pre-wired with 1m of 2x1mm² H05RNF cable (and 1m of DMX512 cable for DMX versions) at one end. Complete with 3000K LED

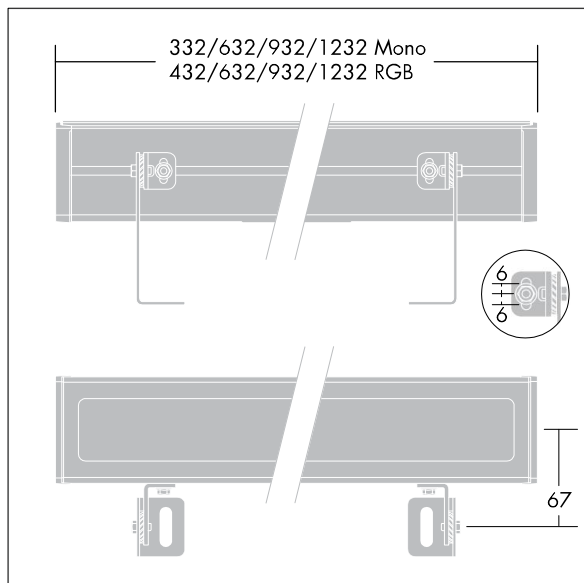
Dimensions: 632 x 75 x 70 mm

Total power: 28 W

Weight: 2.5 kg



TLG_SAT2_F_PDBBLK.jpg



TLG_SAT2_M_LD1.wmf

All values marked with an * are rated values. Thorn uses tried and tested components from leading suppliers, however there may be isolated instances of technology-related failures of individual LEDs during the rated product lifetime. International standards set the tolerance in initial flux and connected load at ±10%. Colour temperature is subject to a tolerance of up to +/-150 Kelvin from the nominal value. Unless stated otherwise, the values apply to an ambient temperature of 25°C.

In most products the failure of one LED point causes no functional impairment to the lighting performance of the luminaire and is therefore no reason for complaint. Unless otherwise stated all Thorn LED products are suitable for unrestricted use (rated RG0 or RG1) with regard photobiological blue light safety (IEC/EN60598-1).

Thorn Lighting is constantly developing and improving its products. The right is reserved to change specifications without prior notification or public announcement.
© Thorn Lighting