

## SENSA DMX CONTROLLER BOX IP65

SAP code 96261598

Pre-wired DMX Controller kit in IP65 box

IP65	IK 07	Class I	CE
------	-------	---------	----



### Application

Stand alone DMX Controller for the control of LED luminaires, supplied in an IP65 box, pre-wired and ready for use.

The Sensa DMX Controller uses the DMX 512 protocol to control LED luminaires. The Sensa software enables easy programming of lighting scenarios. Once recorded in the controller, those programmes can be run autonomously without the need for a laptop.

The Controller box can be completed with an adaptor port and a DMX splitter.

### Design notes

The Sensa DMX Controller box is supplied complete with the Sensa architectural lighting software CD and USB cable. The software is compatible with Windows XP/Vista/Seven 32/64-bit / 64Ko memory, 512 DMX channels, 255 scenes

The DMX controller is supplied with 8 pre-defined scenarios; it is therefore possible to deploy lighting scenarios without the use of a laptop and commissioning effort. Scenario recall is achieved through:

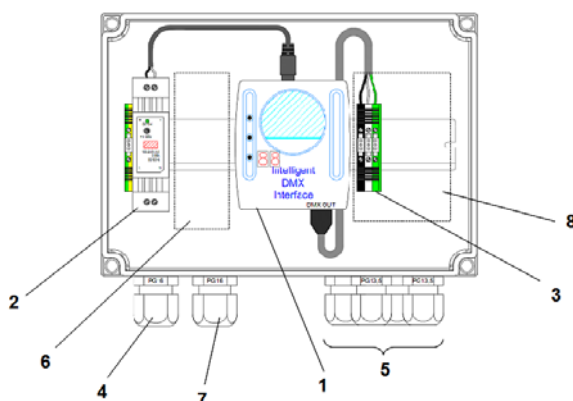
- selection buttons on the controller itself,
- programming of time period thanks to the internal astronomical clock and calendar
- the use of the Sensa DMX adaptor portx8 (Art. No 96261604) and remote triggers (commuter, relays, etc). Space has been allowed inside the Controller box for the adaptor port.

The use of DMX splitter (Art. No 96261602) between Controller and luminaires is strongly recommended for its preventive protection (lightning upsurge, etc), in addition to the extension potential it provides. Space has been allowed in inside the Controller box for the splitter.

### Description

Supplied with: USB cable and Sensa DMX software (CD ROM)

\* optional



1	Stand alone DMX Controller
2	Sensa DMX power supply (Art. No 96261603)
3	DMX output connectors
4	Power input cable gland
5	DMX output(s) cable glands
6	* Sensa DMX Adaptor Port x8 (Art. No 96261604)
7	Dry contact input(s) cable gland
8	* Sensa DMX Splitter x4 (Art. No 96261602)

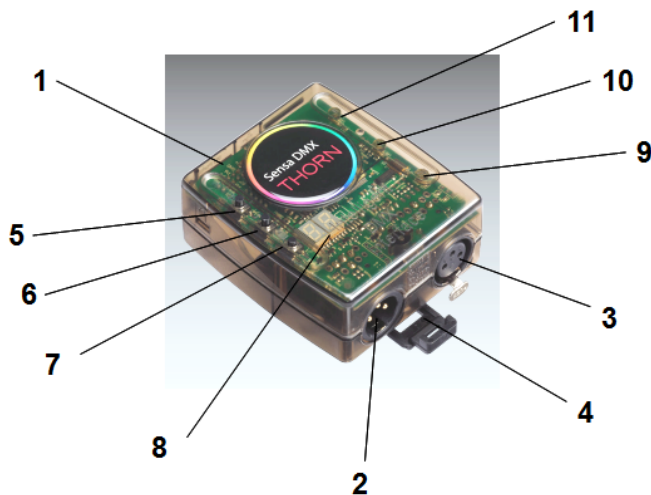
## SENSA DMX CONTROLLER BOX IP65

SAP code 96261598

Pre-wired DMX Controller kit in IP65 box

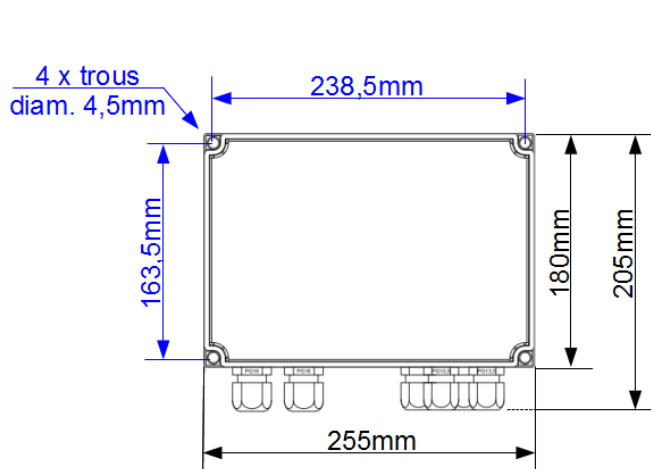
IP65	IK 07	Class I	CE
------	-------	---------	----

### Stand alone DMX Controller



1	5V DC power supply input
2	DMX output connector
3	Not used
4	DIN rail bracket
5	+ button (scenario display up)
6	- button (scenario display down)
7	Dimmer button
8	Scenario number display
9	DMX signal display
10	Power supply display
11	USB or autonomous mode display

### Technical features



Power supply	110 / 230 V AC - 50 / 60 Hz 3G1,5 cable max
Power consumption	20 W
DMX 512 port	1 output (no splitter used) 4 outputs (with splitter, optional)
Connections	Screw connectors for 2,5 mm <sup>2</sup> max cable
Cable glands	Power supply and dry contact inputs : M20 / diam. 5 à 12 mm DMX outputs: M16 / diam. 2,5-8mm
Dimensions	255 x 205 x 100 mm
Weight	980 g
Operating temperature	0 to +40°C
Humidity atmosphere	20 to 80 % without condensation

### Default settings

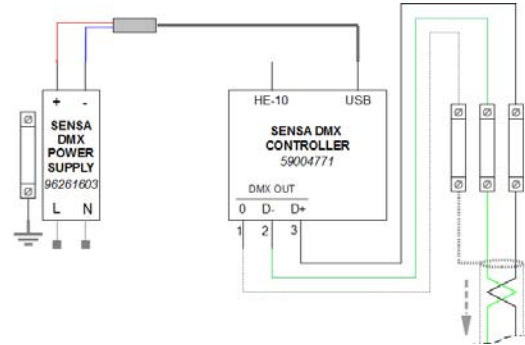
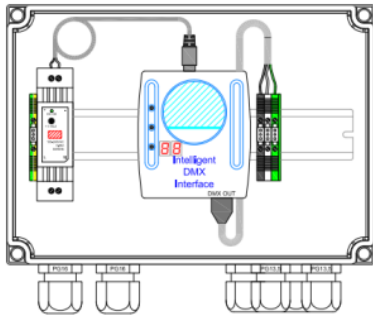
The DMX Controller is supplied with 8 pre-set scenarios. This allows for the validation of the cabling of the installation, as well as the implementation of simple and immediate scenarios without the need for commissioning.

Scenario number	Scenario
1	Black
2	Slow changing of colours
3	Red
4	Yellow
5	Green
6	Cyan
7	Blue
8	Magenta

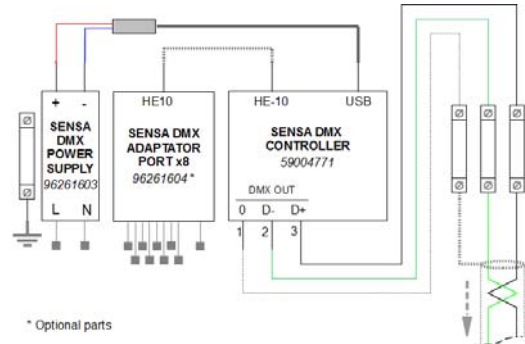
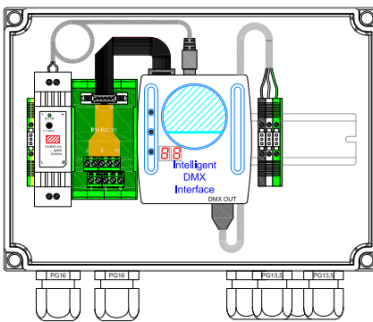
**SENSA DMX CONTROLLER BOX IP65**  
**SAP code 96261598**  
*Pre-wired DMX Controller kit in IP65 box*

IP65	IK 07	Class I	CE
------	-------	---------	----

**Cabling option 1 : Sensa DMX Controller Box alone**

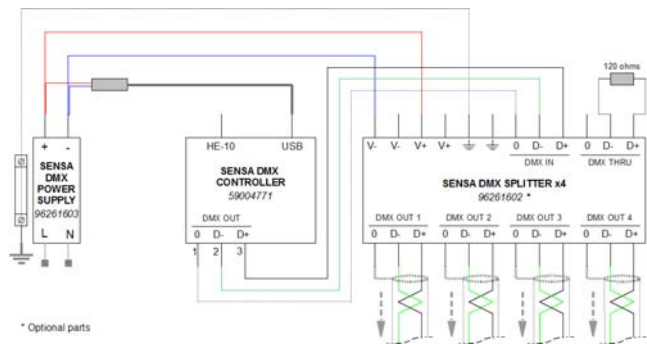
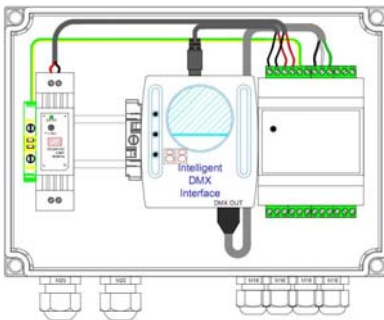


**Cabling option 2 : Sensa DMX Controller Box with Sensa DMX Adaptor x8**



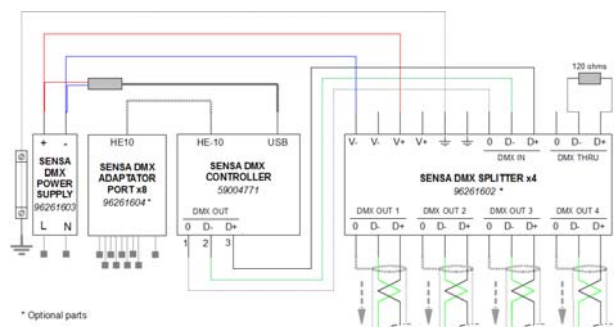
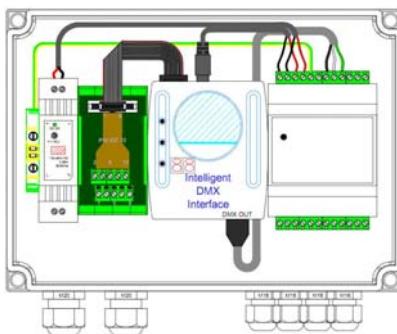
\* Optional parts

**Cabling option 3 : Sensa DMX Controller Box with Sensa DMX Splitterx4**



\* Optional parts

**Cabling option 4 : Sensa DMX Controller Box with Sensa DMX Adaptor x8 and Sensa DMX Splitterx4**

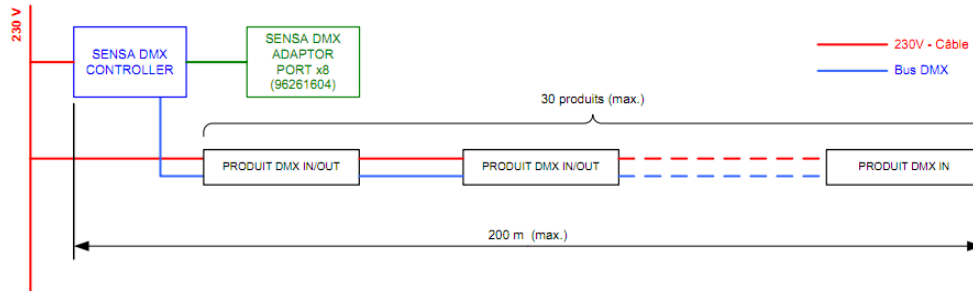


\* Optional parts

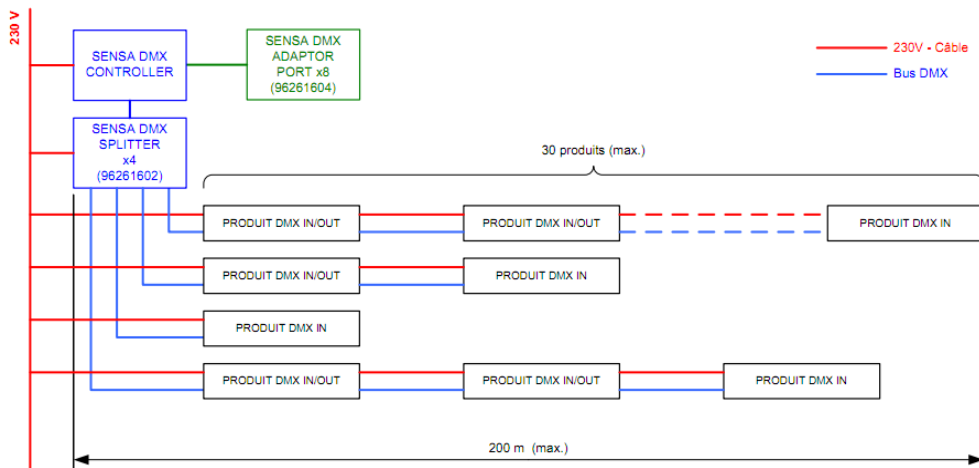
**SENSA DMX CONTROLLER BOX IP65**  
**SAP code 96261598**  
*Pre-wired DMX Controller kit in IP65 box*

IP65	IK 07	Class I	CE
------	-------	---------	----

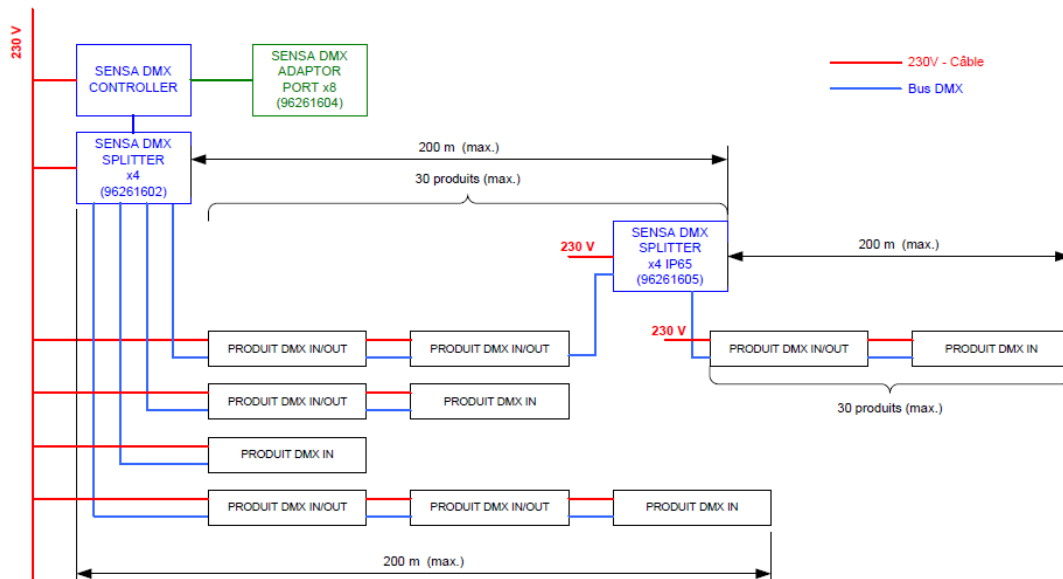
**Installation structure option 1 : DMX Controller alone (optional adaptor port shown)**



**Installation structure option 2 : DMX Controller with splitter (optional adaptor port shown)**



**Installation structure option 3 : DMX Controller with splitters in cascade (optional adaptor port shown)**



## SENSA DMX CONTROLLER BOX IP65

**SAP code 96261598**

*Pre-wired DMX Controller kit in IP65 box*

IP65	IK 07	Class I	CE	
------	-------	---------	----	--

### Warnings

- Do not place the SENSA DMX CONTROLLER BOX IP65 on instable surfaces
- Do not position the SENSA DMX CONTROLLER BOX IP65 in places where a risk of walking or tripping on cables may occur
- Protect from direct sun exposure, heating devices, rain, humidity, dust, liquids, magnetic fields
- Operating temperatures: 0°C to +40°C
- Do not use the SENSA DMX CONTROLLER BOX IP65 during thunder storm
- Do not connect the SENSA DMX CONTROLLER BOX IP65 when it is powered
- Do not use damaged cables or accessories with the SENSA DMX CONTROLLER BOX IP65
- Do not undertake maintenance operations as it may cancel the warranty