

THORN

LIGHTING



BETA 2

A flexible, efficient and long-lasting solution
for office and education

member of zumtobel group



MORE INFORMATION ABOUT BETA 2
[THORNLIGHTING.COM/BET2](https://thornlighting.com/bet2)



BETA 2

EXCELLENT LIGHT QUALITY

The successor of our popular Beta range, Beta 2, is Thorn's next-generation ceiling panel. With a colour rendering index (CRI) of 80+ and a unified glare rating (UGR) of <19 for all versions, Beta 2 delivers excellent light quality and complies with the indoor workplace lighting standard EN12464-1.

APPLICATION AREAS OFFICES



OPEN-PLAN OFFICES



PRIVATE OFFICES



MEETING ROOMS



RECEPTION AREAS &
CORRIDORS

APPLICATION AREAS EDUCATION



CLASSROOMS



LABORATORIES



LIBRARIES



CAFETERIAS



Flexible Planning

With lumen packages of 3000 and 3800 lm, Beta 2 assures great flexibility for different applications and lighting requirements. With a spacing of 2.4 m between luminaires, Beta 2 achieves from 300 lux with the 3000 lm version and 500 lux with the 3800 lm version, guaranteeing the right light for every task.



Efficient and long-lasting solution

With a high degree of protection (IP54, IK06), Beta 2 can go much further than lighting offices and schools. It can be applied in areas such as laboratories and restrooms, being protected against water spray up to 60° from vertical and with limited dust ingress. With an efficiency of up to 120 lm/W, Beta 2 still benefits from different controls possibilities (PIR and daylight harvesting on request).



Flexibility of installation

Beta 2 features a wide range of mounting options, with recessed as standard and accessories to allow installations in plasterboard ceilings, surface-mounted and suspended.

TECHNICAL DATA



<p>STANDARD BEAM (STD)</p>	<p>3000 LM AND 3800 LM</p>	<p>UP TO 120 LM/W</p>	<p>3000 K 4000 K</p>	<p>IK06</p>	<p>50 000 HOURS L80@TA 25°C</p>
<p>UGR <19 & L65 <3000 CD/M²</p>	<p>FIXED OUTPUT, DALI DIMMABLE (PIR & DAYLIGHT HARVESTING ON REQUEST)</p>	<p>80 (90 ON REQUEST)</p>	<p>E3, E3D</p>	<p>MADE IN EUROPE</p>	<p>IP54 (OPTICAL SYSTEM ONLY)</p>

APPLICATIONS

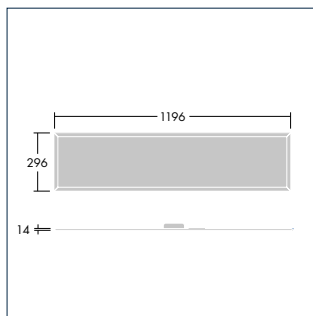
OFFICE

EDUCATION

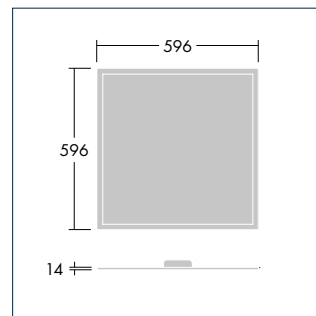
ACCESSOIRES

<p>SURFACE-MOUNTED KIT: Square version: Q600 – 600x600x60 Q625 – 625x625x60 Rectangular version: 300x1200x60</p>	<p>PLASTERBOARD: Square version: Q600 (cut-out: 633x633) Q625 (cut-out: 659x659) Rectangular version: 300x1200 (cut-out: 333x1233)</p>	<p>SUSPENSION KIT: Suspension cable of 1.5 m length</p>
--	--	---

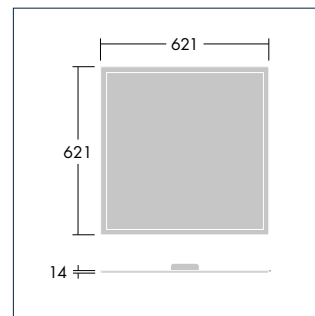
DIMENSIONS



300x1200



Q600



Q625

THORN

LIGHTING



5 YEAR GUARANTEE

As a globally leading luminaire manufacturer, Thorn Lighting provides a five-year warranty for its complete product range within all European Countries.

THORNLIGHTING.COM/GUARANTEE

Thorn Lighting is constantly developing and improving its products. All descriptions, illustrations, drawings and specifications in this publication present only general particulars and shall not form part of any contract. The right is reserved to change specifications without prior notification or public announcement. All goods supplied by the company are supplied subject to the company's General Conditions of Sale, a copy of which is available on request. All measurements are in millimetres and weights in kilograms unless otherwise stated.

Publication No. 96644424 (INT) Publication Date: 11/18

