

Urba

96270897 <URBA MWA 0,45 ANT

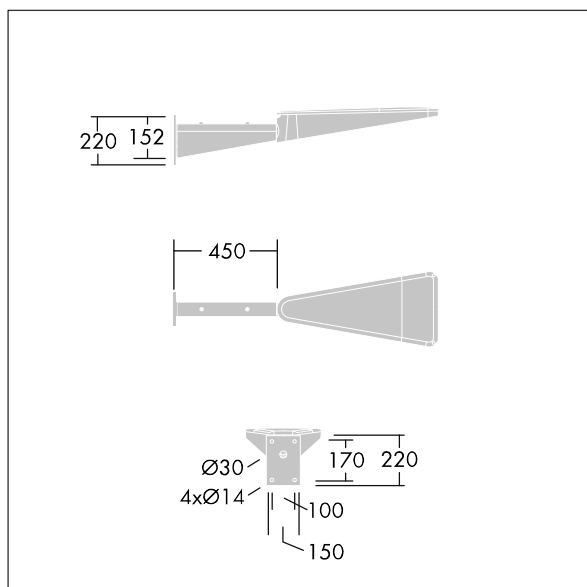
THORN

Urba

galvanised steel Wall bracket. 450mm arm. Painted dark grey.



TLG_URBA_F_WALLBRKT450GY.jpg



TLG_URBA_M_600_C3.wmf

All values marked with an * are rated values. Unless stated otherwise, the values apply to an ambient temperature of 25°C.

Thorn Lighting is constantly developing and improving its products. The right is reserved to change specifications without prior notification or public announcement.
© Thorn Lighting