

## EyeKon LED

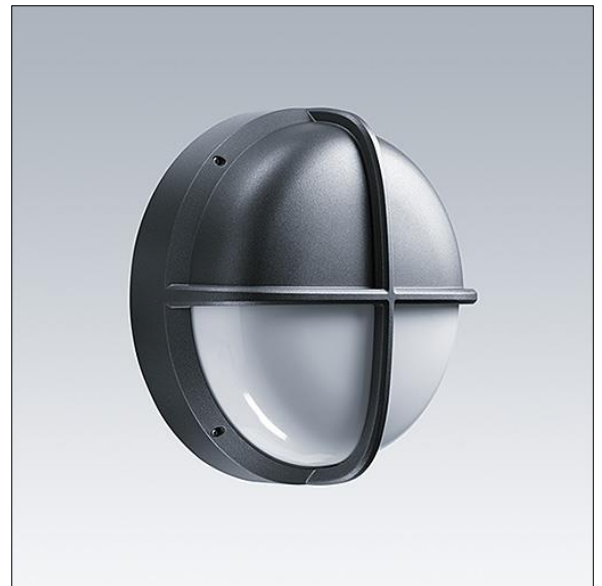
96666056 EYE VS LED700-830 HF E3TX S ANT

EN 55015	IP65	IK10							850°C	T <sub>a</sub> 0 +25
-------------	------	------	--	--	--	--	--	--	-------	-------------------------

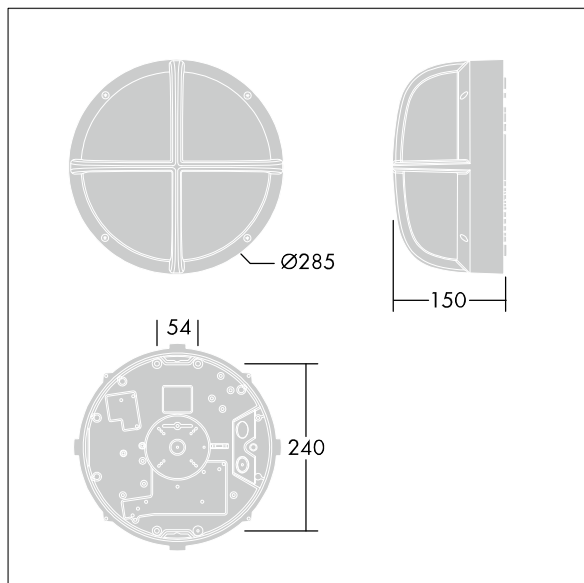
### EyeKon LED

Round, impact resistant LED bulkhead luminaire.  
 Electronic, fixed output control gear with 3 hour, Self/DALI  
 Addressable test, emergency lighting circuit. Class I  
 electrical, IP65, IK10. Body: small size, die-cast aluminium  
 (LM6), powder coated anthracite. Diffuser: opal  
 polycarbonate with die-cast aluminium visor feature.  
 Electrical connection via 6 x 2 x 2.5mm<sup>2</sup> terminal block.  
 Complete with 3000K LED

Dimensions: Ø285 x 150 mm  
 Luminaire input power: 11 W  
 Weight: 3.43 kg



TLG\_EYKN\_F\_SMVSANTHOP.jpg



TLG\_EYKN\_M\_SML.wmf

This product contains a light source of energy efficiency class C.

All values marked with an \* are rated values. Thorn uses tried and tested components from leading suppliers, however there may be isolated instances of technology-related failures of individual LEDs during the rated product lifetime. International standards set the tolerance in initial flux and connected load at ±10%. Unless stated otherwise, the values apply to an ambient temperature of 25°C.