

EyeKon LED

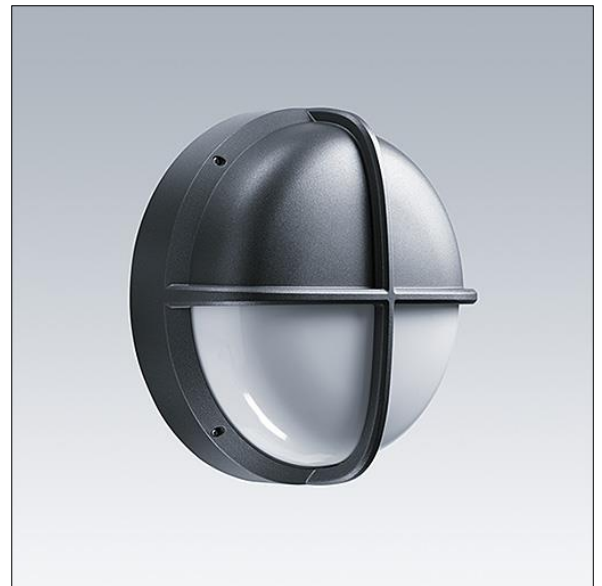
96666056 EYE VS LED700-830 HF E3TX S ANT

EN 55015	IP65	IK10							850°C	T _a 0 +25
-------------	------	------	--	--	--	--	--	--	-------	-------------------------

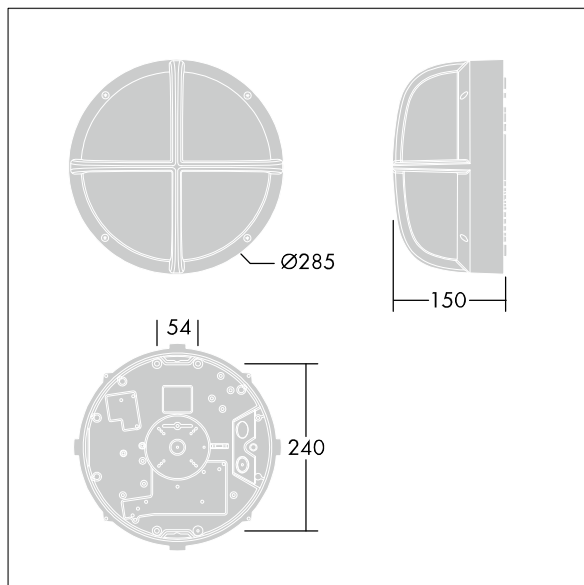
EyeKon LED

Round, impact resistant LED bulkhead luminaire.
 Electronic, fixed output control gear with 3 hour, Self/DALI
 Addressable test, emergency lighting circuit. Class I
 electrical, IP65, IK10. Body: small size, die-cast aluminium
 (LM6), powder coated anthracite. Diffuser: opal
 polycarbonate with die-cast aluminium visor feature.
 Electrical connection via 6 x 2 x 2.5mm² terminal block.
 Complete with 3000K LED

Dimensions: Ø285 x 150 mm
 Luminaire input power: 11 W
 Weight: 3.43 kg



TLG_EYKN_F_SMVSANTHOP.jpg



TLG_EYKN_M_SML.wmf

This product contains a light source of energy efficiency class C.

All values marked with an * are rated values. Thorn uses tried and tested components from leading suppliers, however there may be isolated instances of technology-related failures of individual LEDs during the rated product lifetime. International standards set the tolerance in initial flux and connected load at ±10%. Unless stated otherwise, the values apply to an ambient temperature of 25°C.

EyeKon LED

96666056 EYE VS LED700-830 HF E3TX S ANT

THORN