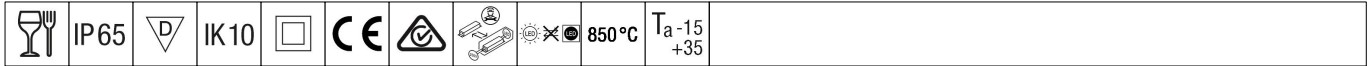


# Katona

# THORN

96631387 KAT RD 1400-840 BC



## Katona

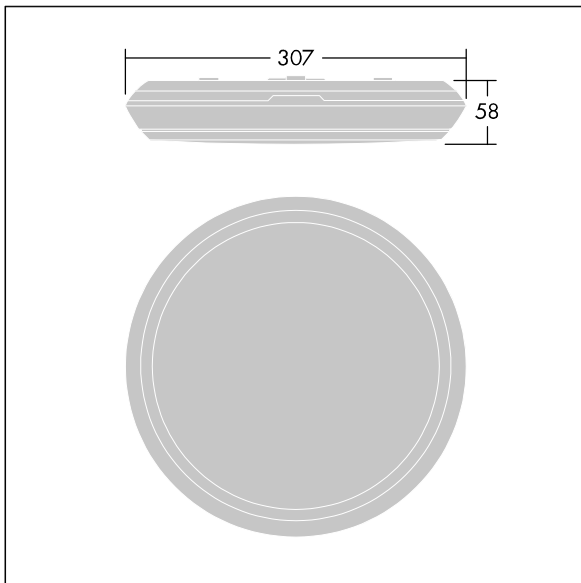
A very slim, round bulkhead LED luminaire. LED driver  
Wireless connection via app with Bluetooth® 4.x - basicDIM  
Wireless. Luminaire arrangement: Mobile control to  
luminaire max. 6m, luminaire to luminaire max. 4m. Body:  
polycarbonate. Diffuser: opal polycarbonate. Class II  
electrical, IP65, IK10. Complete with 4000K LED. Suitable  
for direct mounting to wall or ceiling. Loop-in, loop-out is  
possible for cables up to 2.5mm<sup>2</sup>.

Radio definition: basicDIM Wireless - Bluetooth® 4.x,  
Radio frequency: 2.4...2.483 GHz, Radio power: +4 dBm

Dimensions: Ø307 x 58 mm  
Luminaire input power: 11.7 W  
Luminaire luminous flux: 1400 lm  
Luminaire efficacy: 120 lm/W  
Weight: 1.09 kg



TLG\_KATO\_F\_RD\_PDB.jpg



TLG\_KATO\_M\_RD\_LDS.wmf

This product contains a light source of energy efficiency class C.

All values marked with an \* are rated values. Thorn uses tried and tested components from leading suppliers, however there may be isolated instances of technology-related failures of individual LEDs during the rated product lifetime. International standards set the tolerance in initial flux and connected load at ±10%. Unless stated otherwise, the values apply to an ambient temperature of 25°C.

Thorn Lighting is constantly developing and improving its products. The right is reserved to change specifications without prior notification or public announcement.  
© Thorn Lighting