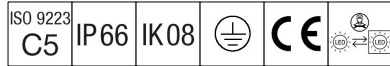


GTLED Pro

96276374 GP AL L 144L-740 ASC IN CL1



GTLED Pro

An advanced LED tunnel luminaire. 144 LEDs with Axial Street Comfort distribution. Body: extruded aluminium, powder coated white (RAL 9016). Enclosure: 4mm toughened glass. To be ceiling mounted with specific brackets to be ordered separately. Class I electrical, IP66, IK08. Fitted with connector at one end. Complete with 4000K LED.

Used in conjunction with remote gear box (to be ordered separately). Supply current and lumen output are dependant on settings used.

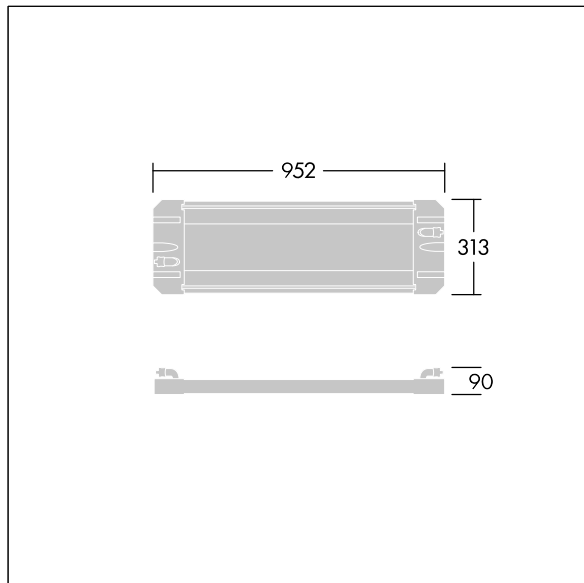
Due to the unique calculation requirements of this product the photometric data is not provided here but design advice may be obtained from your local representative.

Dimensions: 952 x 313 x 90 mm

Weight: 12.21 kg



TLG_GTPR_F_216.jpg



TLG_GTPR_M_L.wmf

This product contains a light source of energy efficiency class D.