

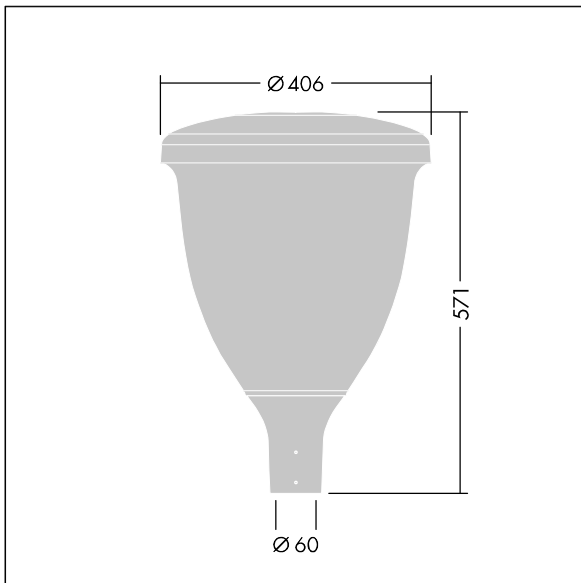
Volupto

A smart, post top LED lantern with a radially symmetric distribution. Programmable LED driver with 18 LEDs driven at 1,05A. Class I electrical, IP66, IK10. Canopy and base: corrosion resistant die-cast powder coated aluminium, finished textured anthracite (close to RAL7043). Enclosure: UV stabilised polycarbonate. Complete with 4000K LED. Pre-wired with 5m cable. Post top mounting to Ø60mm column.

Dimensions: Ø60/406 x 571 mm
 Luminaire input power: 59.5 W
 Luminaire luminous flux: 7458 lm
 Luminaire efficacy: 125 lm/W
 Weight: 7.59 kg
 Scx: 0.143 m²



TLG_VOLU_F_Side.jpg



TLG_VOLU_M_60.wmf

This product contains a light source of energy efficiency class D.

All values marked with an * are rated values. Thorn uses tried and tested components from leading suppliers, however there may be isolated instances of technology-related failures of individual LEDs during the rated product lifetime. International standards set the tolerance in initial flux and connected load at ±10%. Unless stated otherwise, the values apply to an ambient temperature of 25°C.