

Contrast

96633446 CONT3 12L105 830 AS HFX SP ANT



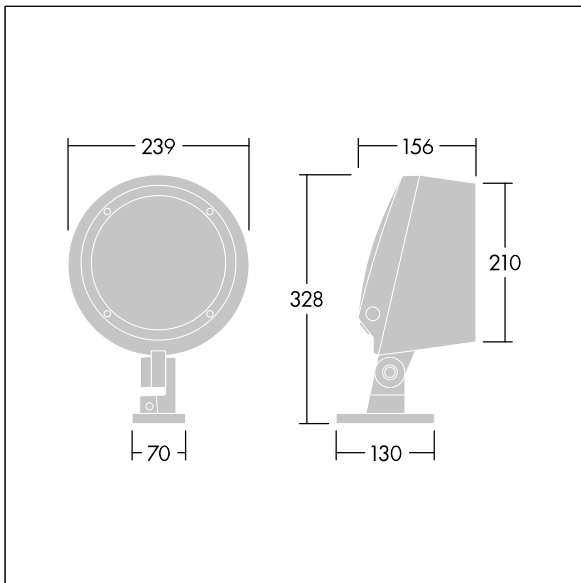
Contrast

A medium architectural Bracket mounted LED floodlight with 12 LEDs driven at 1050mA and a asymmetrical beam distribution. LED driver, DALI-2 dimmable. Class II electrical, IP66, IK08. Body: die-cast, powder coated, textured anthracite (close to RAL7043). Compatible with coastal environments. Glass: tempered, 5mm thick. Gasket: EPDM. Screws: geomet. Equipped with 10kV / 10kA surge protection device. Complete with 3000K LED

Dimensions: Ø239 x 156 mm
 Luminaire input power: 41 W
 Luminaire luminous flux: 3199 lm
 Luminaire efficacy: 78 lm/W
 Weight: 5.12 kg



TLG_CON3_F_S_12L.jpg



TLG_CONL_M_12L.wmf

This product contains a light source of energy efficiency class D.