

Contrast

96633565 CONT3 12L70-722-840 NB HFX SP BK

ISO 9223 C5		IP66	IK08						Ta -20 +35
----------------	--	------	------	--	--	--	--	--	---------------

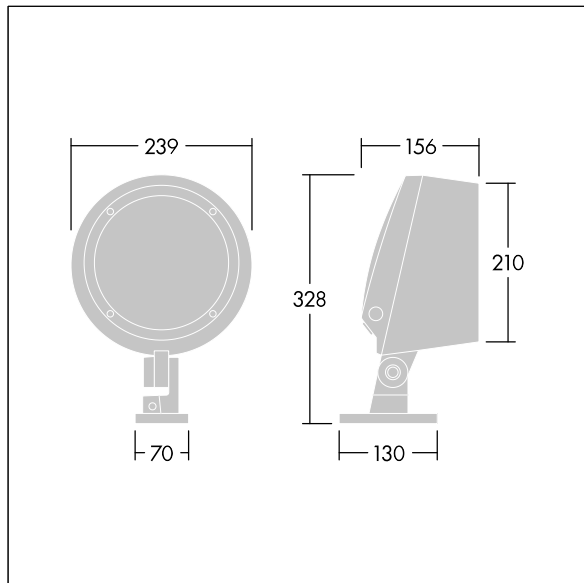
Contrast

A medium architectural Bracket mounted LED floodlight with 12 LEDs driven at 700mA and a narrow beam distribution. LED driver, DALI-2 dimmable. Class II electrical, IP66, IK08. Body: die-cast, powder coated, textured black (close to RAL9005). Compatible with coastal environments. Glass: tempered, 5mm thick. Gasket: EPDM. Screws: geomet. Equipped with 10kV / 10kA surge protection device. Complete with 2200-4000K balanced white LEDs

Dimensions: Ø239 x 156 mm
 Luminaire input power: 29 W
 Luminaire luminous flux: 2685 lm
 Luminaire efficacy: 93 lm/W
 Weight: 5.3 kg



TLG_CON3_F_S_12L.jpg



TLG_CONL_M_12L.wmf

This product contains a light source of energy efficiency class E.

All values marked with an * are rated values. Thorn uses tried and tested components from leading suppliers, however there may be isolated instances of technology-related failures of individual LEDs during the rated product lifetime. International standards set the tolerance in initial flux and connected load at ±10%. Unless stated otherwise, the values apply to an ambient temperature of 25°C.