

Contrast

96633670 CONT3 36L105-830 NB HFX SP BK

ISO 9223 C5	IP66	IK08							T _a -20 +35
----------------	------	------	--	--	--	--	--	--	---------------------------

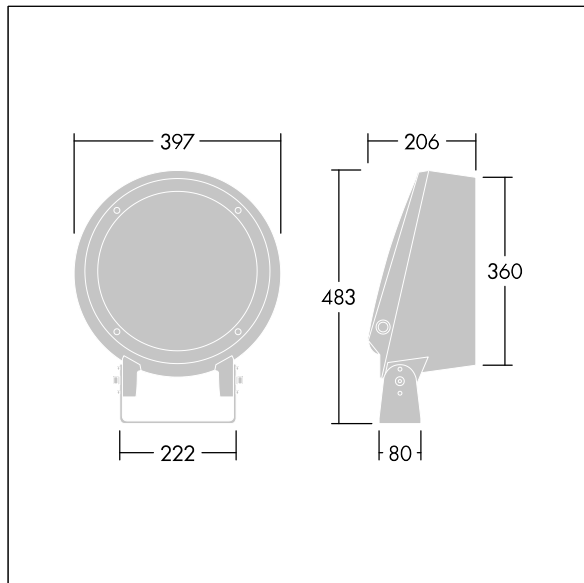
Contrast

A large architectural Bracket mounted LED floodlight with 36 LEDs driven at 1050mA and a narrow beam distribution. LED driver, DALI-2 dimmable. Class II electrical, IP66, IK08. Body: die-cast, powder coated, textured black (close to RAL9005). Compatible with coastal environments. Glass: tempered, 5mm thick. Gasket: EPDM. Screws: geomet. Equipped with 10kV / 10kA surge protection device. Complete with 3000K LED

Dimensions: Ø397 x 206 mm
 Luminaire input power: 117 W
 Luminaire luminous flux: 11814 lm
 Luminaire efficacy: 101 lm/W
 Weight: 13.2 kg



TLG_CON3_F_M_36L.jpg



TLG_CONL_M_36-52L.wmf

This product contains a light source of energy efficiency class D.

All values marked with an * are rated values. Thorn uses tried and tested components from leading suppliers, however there may be isolated instances of technology-related failures of individual LEDs during the rated product lifetime. International standards set the tolerance in initial flux and connected load at ±10%. Unless stated otherwise, the values apply to an ambient temperature of 25°C.