

96681013 VICIA1 36L70-740 NR CL2 N8M R9006



## Victoria

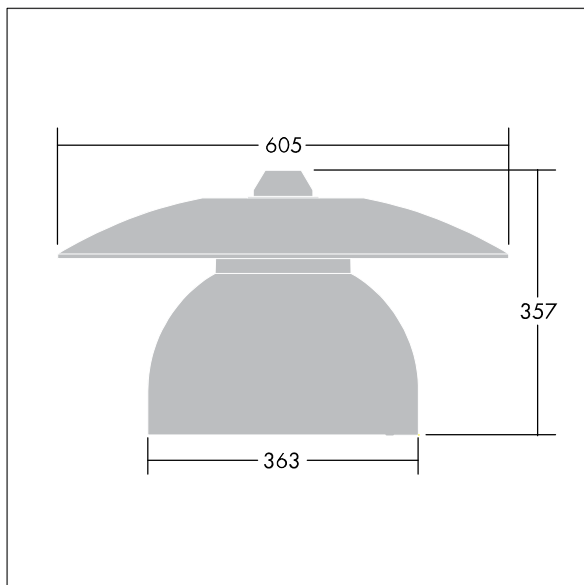
A small size LED street and urban luminaire, in a modern and timeless design. 36 LEDs driven at 700mA with Narrow Road optic. Fixed output LED driver. Class II electrical, IP65. Body in aluminium, powder coated White aluminium RAL9006. Enclosure: toughened flat glass. Luminaire to be suspended using brackets (Ø27G), post top, or wall mounted. Tool-free electrical connection via 2 x 2.5 mm<sup>2</sup> terminal block. Pre-wired with 8m H07-RNF cable. Complete with 4000K LED

Must be used in conjunction with a canopy (see Victoria Canopies section), to be ordered separately.

Dimensions: Ø605 x 355 mm  
 Luminaire input power: 82.5 W  
 Weight: 5.77 kg  
 Scx: 0.144 m<sup>2</sup>



TLG\_VCTA\_F\_PDB.jpg



TLG\_VCTA\_M\_SWLD1.wmf

This product contains light sources of energy efficiency classes D, F.