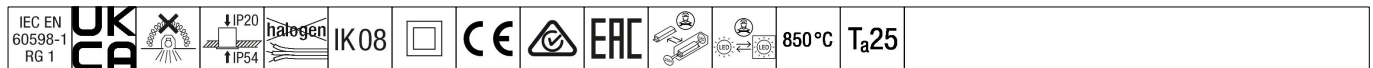


# Chalice 3

THORN

92989197 CHAL3 100 800-940 EHF RSB



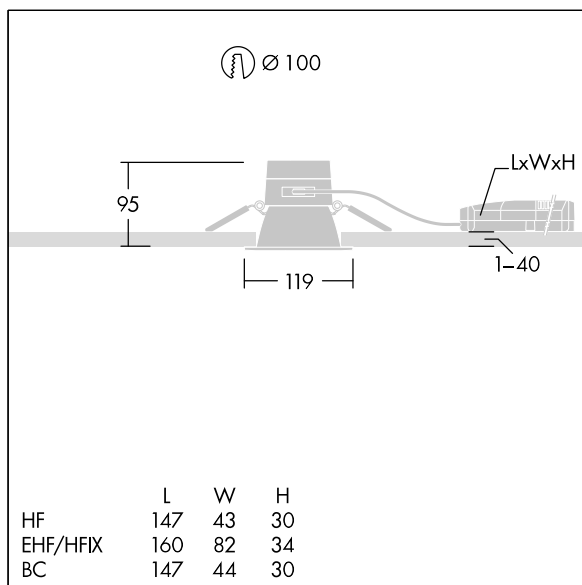
## Chalice 3

A highly efficient and sustainable LED downlight with low height. Suitable for mounting in ceiling thicknesses of 1 to mm and Ø100mm cut-out with spring clips. Remote, pluggable, Fixed output LED driver with DC functionality, adjustable 50-100%, NFC configurable. Loop in - loop out possible. Body: die-cast aluminium for highly efficient thermal management with recycling content >90%. Diffuser: polycarbonate. Reflector and trim: polycarbonate smooth reflector in satinbrite finish with wide beam. Class II electrical, IP54\_IP20. Complete with 4000K LED

Dimensions: Ø119 x 95 mm  
 Luminaire input power: 8.8 W  
 Luminaire luminous flux: 810 lm  
 Luminaire efficacy: 92 lm/W  
 Weight: 0.5 kg



TLG\_CHAL3\_F\_100HP\_RSB\_2.jpg



TLG\_CHAL3\_M\_EHF100H.wmf

This product contains a light source of energy efficiency class D.

All values marked with an \* are rated values. Thorn uses tried and tested components from leading suppliers, however there may be isolated instances of technology-related failures of individual LEDs during the rated product lifetime. International standards set the tolerance in initial flux and connected load at ±10%. Unless stated otherwise, the values apply to an ambient temperature of 25°C.