

## Legend

### 96262622 LEGEND 36L50 RC 740 RPF CL2 T60



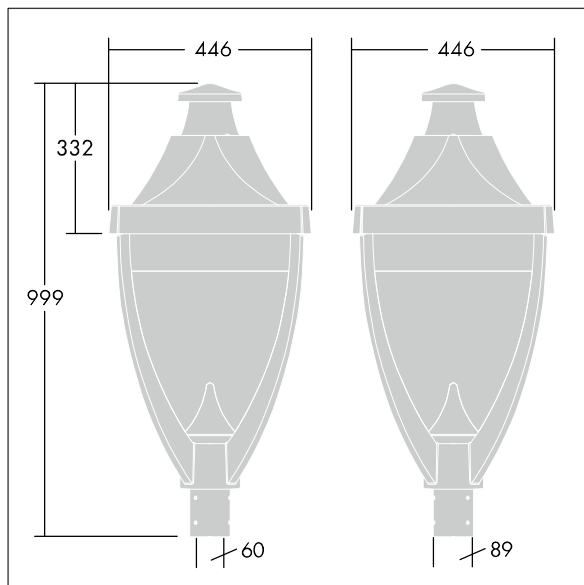
#### Legend

A modern heritage post top LED lantern with perforated optic creating decorative illumination on the top of the lantern. Electronic, Class II electrical, IP65, IK08. Body: die-cast aluminium powder coated grey 900 textured finish (close to RAL 7043). Enclosure: flat toughened glass. Surge protection: 10kV single pulse common mode and 8kV multipulse common mode and 6kV multipulse differential mode. If permanent DALI system is connected, 6kV multipulse common and differential mode. Complete with 4000K LED.

Dimensions: 446 x 446 x 999 mm  
 Luminaire input power: 55 W  
 Weight: 17.6 kg  
 Scx: 0.14 m<sup>2</sup>



TLG\_LGND\_F\_CLS.jpg



TLG\_LGND\_M\_MTP.wmf

This product contains light sources of energy efficiency class D.

All values marked with an \* are rated values. Thorn uses tried and tested components from leading suppliers, however there may be isolated instances of technology-related failures of individual LEDs during the rated product lifetime. International standards set the tolerance in initial flux and connected load at ±10%. Unless stated otherwise, the values apply to an ambient temperature of 25°C.