

# Thor Bollard

# THORN

96264266 TR B W 10L25 740 ASY CL2 MPL

ISO 9223 C5	IP66	IK10	⊕	CE	⚡	EAC	⚙️	⚙️	T <sub>a</sub> 25	T <sub>a</sub> 50	
----------------	------	------	---	----	---	-----	----	----	-------------------	-------------------	--

## Thor Bollard

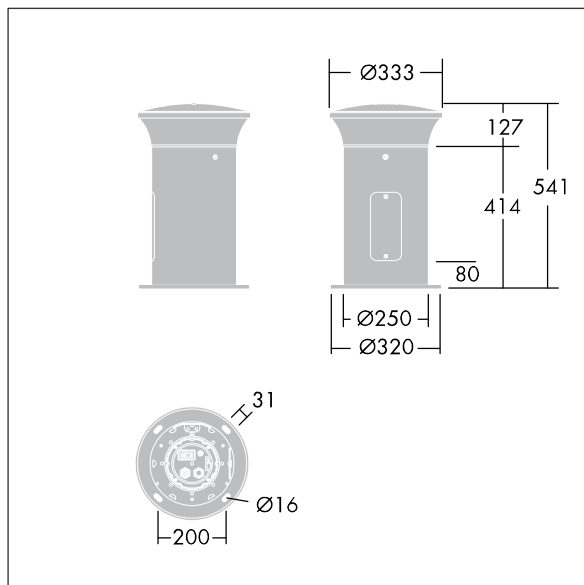
An elegant vandal resistant asymmetrical slim bollard with high performance optic. For Electronic, fixed output control gear. IP66 Electrical Class II. Column and Base: aluminium (EW AW 6060). Canopy: die-cast aluminium (EN AC 44300). Diffuser: Clear anti UV polycarbonate. Gear Box: polycarbonate. Canopy and Column colour: powder coated anthracite (close to RAL7043) (close to RAL7043). Ready to install prewired luminaire. Connection box required, to be ordered separately. Complete with 4000K LED

Flange mounting: 4 x anchor bolts M14 (to be ordered separately), spacing: 200mm

Dimensions: 250 x 250 x 541 mm  
Luminaire input power: 8.9 W  
Weight: 9 kg



TLG\_ADLB\_F\_WIDE.jpg



TLG\_ADLB\_M\_WIDE.wmf

This product contains a light source of energy efficiency class D.

All values marked with an \* are rated values. Thorn uses tried and tested components from leading suppliers, however there may be isolated instances of technology-related failures of individual LEDs during the rated product lifetime. International standards set the tolerance in initial flux and connected load at ±10%. Unless stated otherwise, the values apply to an ambient temperature of 25°C.

Thorn Lighting is constantly developing and improving its products. The right is reserved to change specifications without prior notification or public announcement.  
© Thorn Lighting

**Thor Bollard**

**96264266 TR B W 10L25 740 ASY CL2 MPL**

**THORN**