

# EyeKon LED

THORN

92900558 EYE VS LED1000-840 HFIX E3TX L ANT

|             |      |      |  |  |  |  |  |  |       |                         |
|-------------|------|------|--|--|--|--|--|--|-------|-------------------------|
| EN<br>55015 | IP65 | IK10 |  |  |  |  |  |  | 850°C | T <sub>a</sub> 0<br>+25 |
|-------------|------|------|--|--|--|--|--|--|-------|-------------------------|

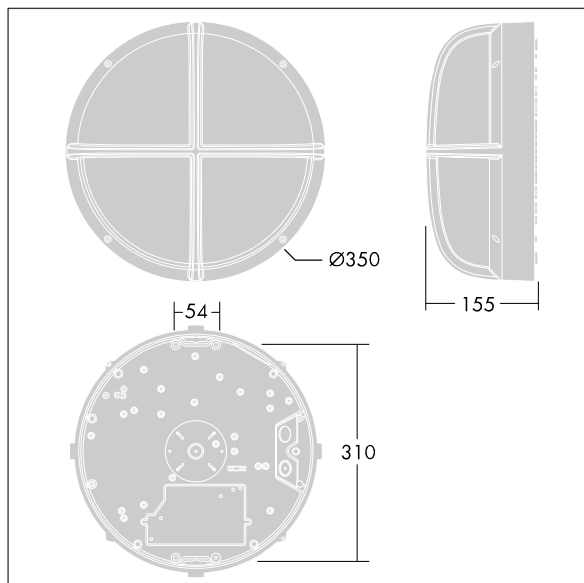
## EyeKon LED

Round, impact resistant LED bulkhead luminaire.  
Electronic, DALI dimmable control gear with 3 hour,  
Self/DALI Addressable test, emergency lighting circuit.  
Class I electrical, IP65, IK10. Body: large size, die-cast  
aluminium (LM6), powder coated anthracite. Diffuser: opal  
polycarbonate with die-cast aluminium visor feature.  
Electrical connection via 6 x 2 x 2.5mm<sup>2</sup> terminal block.  
Complete with 4000K LED

Dimensions: Ø340 x 155 mm  
Luminaire input power: 16 W  
Weight: 3.36 kg



TLG\_EYKN\_F\_LGVSANTHOP.jpg



TLG\_EYKN\_M\_LGE.wmf

This product contains a light source of energy efficiency class C.

All values marked with an \* are rated values. Thorn uses tried and tested components from leading suppliers, however there may be isolated instances of technology-related failures of individual LEDs during the rated product lifetime. International standards set the tolerance in initial flux and connected load at ±10%. Unless stated otherwise, the values apply to an ambient temperature of 25°C.

Thorn Lighting is constantly developing and improving its products. The right is reserved to change specifications without prior notification or public announcement.  
© Thorn Lighting