

EyeKon LED

THORN

92900825 EYE VS LED700-840 HF E3 S BK

| | | | | | | | | | | |
|-------------|------|------|---|----|---|-----|---|---|-------|-------------------------|
| EN 55015 | IP65 | IK10 | ⊕ | CE | ⚡ | EAC | ⚡ | ⚡ | 850°C | T _a 0 +25 |
|-------------|------|------|---|----|---|-----|---|---|-------|-------------------------|

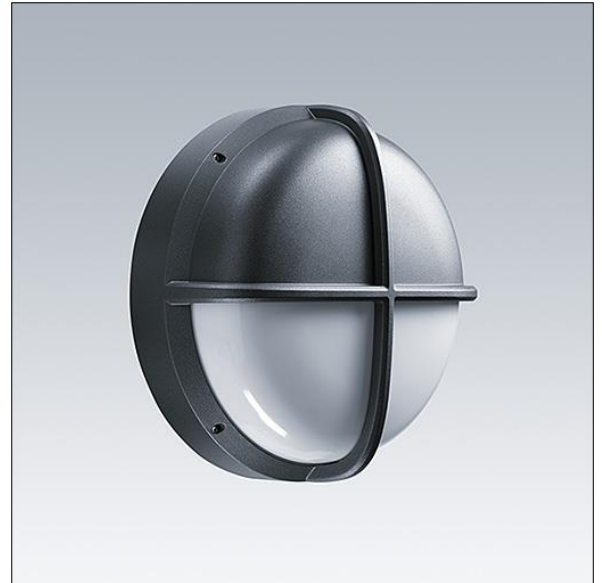
EyeKon LED

Round, impact resistant LED bulkhead luminaire.
Electronic, fixed output control gear with 3 hour, manual test, emergency lighting circuit. Class I electrical, IP65, IK10. Body: small size, die-cast aluminium (LM6), powder coated. Diffuser: opal polycarbonate with die-cast aluminium visor feature. Electrical connection via 4 x 2 x 2.5mm² terminal block. Complete with 4000K LED

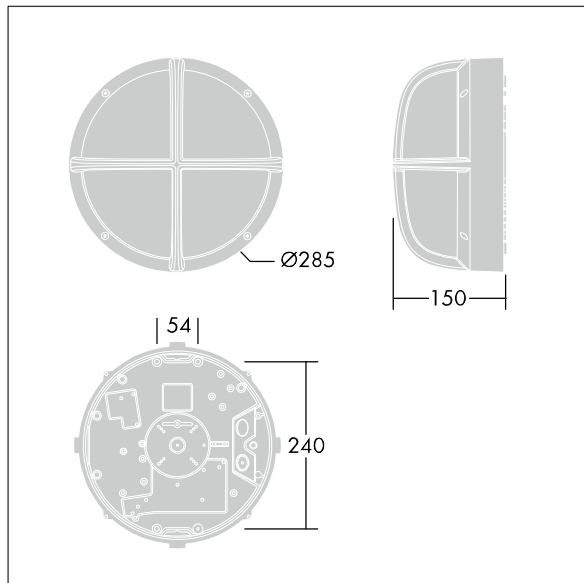
Dimensions: Ø285 x 150 mm

Luminaire input power: 11 W

Weight: 3.2 kg



TLG_EYKN_F_SMVSANTHOP.jpg



TLG_EYKN_M_SML.wmf

This product contains a light source of energy efficiency class C.

All values marked with an * are rated values. Thorn uses tried and tested components from leading suppliers, however there may be isolated instances of technology-related failures of individual LEDs during the rated product lifetime. International standards set the tolerance in initial flux and connected load at ±10%. Unless stated otherwise, the values apply to an ambient temperature of 25°C.

Thorn Lighting is constantly developing and improving its products. The right is reserved to change specifications without prior notification or public announcement.
© Thorn Lighting

EyeKon LED

92900825 EYE VS LED700-840 HF E3 S BK

THORN