

EyeKon LED

THORN

92900885 EYE CR LED1350-840 HFIX E3TX L ANT

EN 55015	IP65	IK10	⊕	CE	⚡	EAC	⚡	⚡	850°C	T _a 0 +25
-------------	------	------	---	----	---	-----	---	---	-------	-------------------------

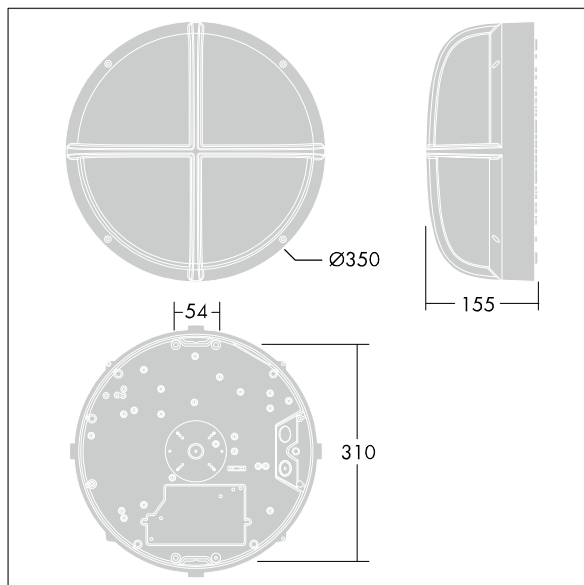
EyeKon LED

Round, impact resistant LED bulkhead luminaire.
Electronic, DALI dimmable control gear with 3 hour,
Self/DALI Addressable test, emergency lighting circuit.
Class I electrical, IP65, IK10. Body: large size, die-cast
aluminium (LM6), powder coated anthracite. Diffuser: opal
polycarbonate with die-cast aluminium cross feature.
Electrical connection via 6 x 2 x 2.5mm² terminal block.
Complete with 4000K LED

Dimensions: Ø340 x 155 mm
Luminaire input power: 16 W
Weight: 3.9 kg



TLG_EYKN_F_LGCRSANTHOP.jpg



TLG_EYKN_M_LGE.wmf

This product contains a light source of energy efficiency class C.

All values marked with an * are rated values. Thorn uses tried and tested components from leading suppliers, however there may be isolated instances of technology-related failures of individual LEDs during the rated product lifetime. International standards set the tolerance in initial flux and connected load at ±10%. Unless stated otherwise, the values apply to an ambient temperature of 25°C.

Thorn Lighting is constantly developing and improving its products. The right is reserved to change specifications without prior notification or public announcement.
© Thorn Lighting

EyeKon LED

92900885 EYE CR LED1350-840 HFIX E3TX L ANT

THORN