

96630233 TR 72L50-730 RWT CL2 OP MCA 12M

ISO 9223 C5	IP66	IK08							T _a 0 +25
----------------	------	------	--	--	--	--	--	--	-------------------------

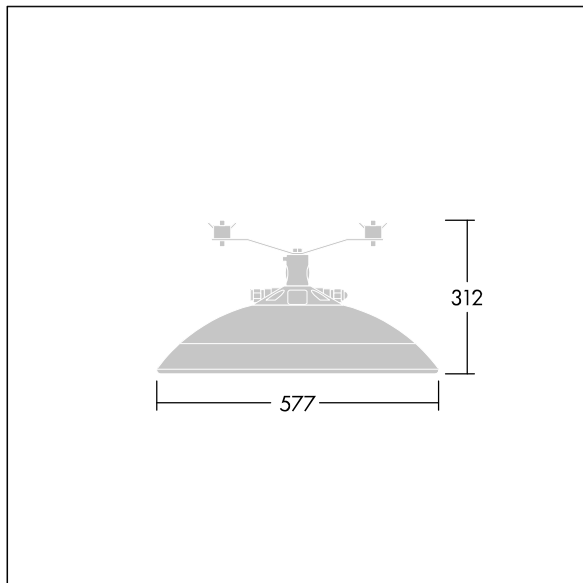
Thor

A large size, smart urban LED lantern with 72 LEDs driven at 500mA with Road Wet Condition optic and UV stabilised polycarbonate dome with opal finish. Class II electrical, IP66, IK08. Body, bracket and ring: die-cast aluminium (AS12U, LM6 equivalent, EN AC-44300) treated against corrosion, powder coated anthracite (close to RAL7043). Enclosure: 4mm toughened flat glass. Screws and closing set: stainless steel. Pre-wired with 12m cable. Catenary mounted Complete with 3000K LED.

Dimensions: Ø577 x 312 mm
 Luminaire input power: 115 W
 Luminaire luminous flux: 14576 lm
 Luminaire efficacy: 127 lm/W
 Weight: 15 kg
 Scx: 0.044 m²



TLG_THOR_F_SMCA.jpg



TLG_THOR_M_MCA_L.wmf

This product contains light sources of energy efficiency class D.