

# EyeKon LED

# THORN

92901349 EYE BE LED1100-830 HF S SIL

|             |      |      |   |    |     |  |  |       |                           |
|-------------|------|------|---|----|-----|--|--|-------|---------------------------|
| EN<br>55015 | IP65 | IK10 | ⊕ | CE | EAC |  |  | 850°C | T <sub>a</sub> -20<br>+35 |
|-------------|------|------|---|----|-----|--|--|-------|---------------------------|

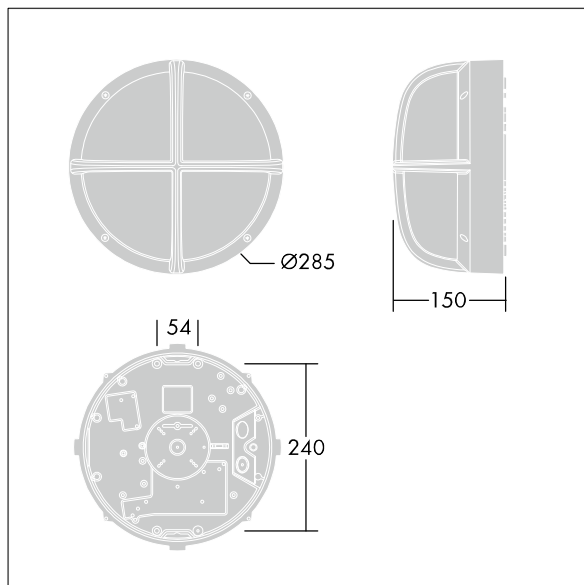
## EyeKon LED

Round, impact resistant LED bulkhead luminaire.  
Electronic, fixed output control gear. Class I electrical, IP65, IK10. Body: small size, die-cast aluminium (LM6), powder coated silver grey. Diffuser: opal polycarbonate with die-cast aluminium bezel feature. Electrical connection via 3 x 2 x 2.5mm<sup>2</sup> terminal block. Complete with 3000K LED

Dimensions: Ø285 x 150 mm  
Luminaire input power: 11 W  
Weight: 2.3 kg



TLG\_EYKN\_F\_SMBEZANTHOP.jpg



TLG\_EYKN\_M\_SML.wmf

This product contains a light source of energy efficiency class C.

All values marked with an \* are rated values. Thorn uses tried and tested components from leading suppliers, however there may be isolated instances of technology-related failures of individual LEDs during the rated product lifetime. International standards set the tolerance in initial flux and connected load at ±10%. Unless stated otherwise, the values apply to an ambient temperature of 25°C.

Thorn Lighting is constantly developing and improving its products. The right is reserved to change specifications without prior notification or public announcement.  
© Thorn Lighting