

Equaline

96632004 EQL C L3000 LRO SRE

THORN



Equaline

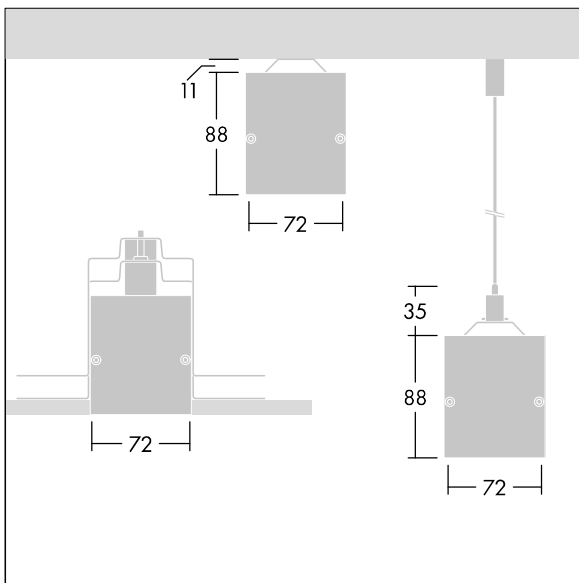
Equaline frameless channel with optics for 2nd generation Equaline. Body: silver powder coated aluminium, suitable for surface, suspended and plasterboard installation. For single and continuous installation. Continuous run with visible joints between optic pieces. Optics: Luminance reducing optic (LRO) with UGR<19 made of PMMA. Batten, end cap set and installation accessories to be ordered separately. Luminaire wired with halogen free leads.

Equaline consists of a channel, LED-batten, cover and accessories, which have to be configured and ordered separately. This product is one part of the complete configuration.

Dimensions: 3000 x 72 x 88 mm
Luminaire input power: 53 W
Luminaire luminous flux: 4650 lm
Luminaire efficacy: 88 lm/W
Weight: 6.3 kg



TLG_EQUL_F_C_MPO_Channel_SR.jpg



TLG_EQUL_M_surface_suspended_plasterboard.wmf

All values marked with an * are rated values. Thorn uses tried and tested components from leading suppliers, however there may be isolated instances of technology-related failures of individual LEDs during the rated product lifetime. International standards set the tolerance in initial flux and connected load at $\pm 10\%$. Unless stated otherwise, the values apply to an ambient temperature of 25°C.

Thorn Lighting is constantly developing and improving its products. The right is reserved to change specifications without prior notification or public announcement.
© Thorn Lighting