

Raze Architectural

96632098 RAA L 1L50-830 LV HFX 6K MSF ANT



Raze Architectural

A compact, Surface mounted, LED wall grazer, incorporating Thorn's Flat beam® technology. 1 LED driven at 500mA. Integral DALI dimmable LED driver included. Class II electrical, IP66, IK08. Housing: die-cast aluminium (EN44300, compatible with seaside installation), powder coated, textured anthracite (close to RAL7043). Bowl: UV stabilised polycarbonate, semi-frosted. Fasteners: stainless steel. Fitted with internal louvre to reduce lateral glare. Complete with 3000K LED.

S version driver capable of supplying up to three luminaires.

MSF variant with adjustable tilt up to $\pm 15^\circ$.

MWA variant flush mounting.

6kV surge protection as standard. Pre-wired.

Dimensions: 204 x 220 x 148 mm

Luminaire input power: 21 W

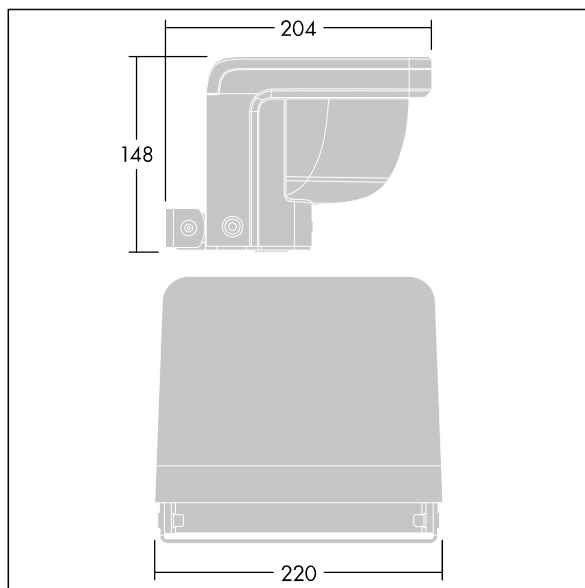
Luminaire luminous flux: 1433 lm

Luminaire efficacy: 68 lm/W

Weight: 2.85 kg



TLG_RAZA_F_L_MS_F_PDB.jpg



TLG_RAZA_M_L_MS_F.wmf

This product contains a light source of energy efficiency class E.

Raze Architectural

96632098 RAA L 1L50-830 LV HFX 6K MSF ANT

THORN