

## 96631734 TR 72L50-740 RWT CL2 OP MCA IO W12

ISO 9223 C5	IP66	IK08						T <sub>a</sub> 0 +25
----------------	------	------	--	--	--	--	--	-------------------------

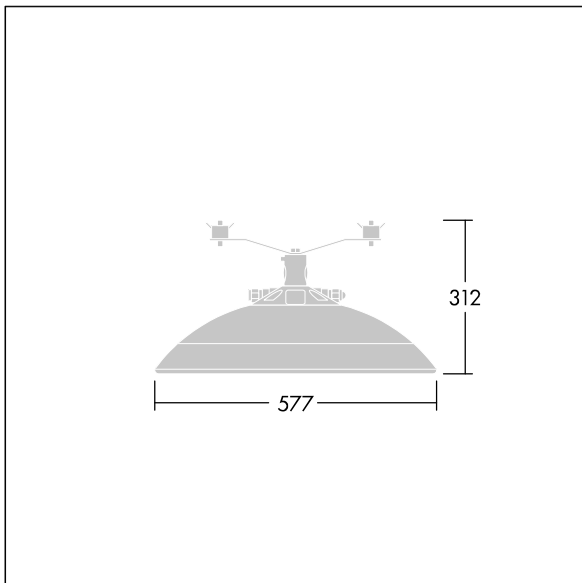
### Thor

A large size, smart urban LED lantern with 72 LEDs driven at 500mA with Road Wet Condition optic and UV stabilised polycarbonate dome with opal finish. Class II electrical, IP66, IK08. Body, bracket and ring: die-cast aluminium (AS12U, LM6 equivalent, EN AC-44300) treated against corrosion, powder coated anthracite (close to RAL7043). Enclosure: 4mm toughened flat glass. Screws and closing set: stainless steel. Pre-wired with 1m cable. Catenary mounted Complete with 4000K LED.

Dimensions: Ø577 x 312 mm  
 Luminaire input power: 115 W  
 Luminaire luminous flux: 15229 lm  
 Luminaire efficacy: 132 lm/W  
 Weight: 15 kg  
 Scx: 0.044 m<sup>2</sup>



TLG\_THOR\_F\_SMCA.jpg



TLG\_THOR\_M\_MCA\_L.wmf

This product contains light sources of energy efficiency class E.

All values marked with an \* are rated values. Thorn uses tried and tested components from leading suppliers, however there may be isolated instances of technology-related failures of individual LEDs during the rated product lifetime. International standards set the tolerance in initial flux and connected load at ±10%. Unless stated otherwise, the values apply to an ambient temperature of 25°C.