

# Glacier II

# THORN

96632163 GLAC2 L LED2 9500-830 BC EC GY GL PR



## Glacier II

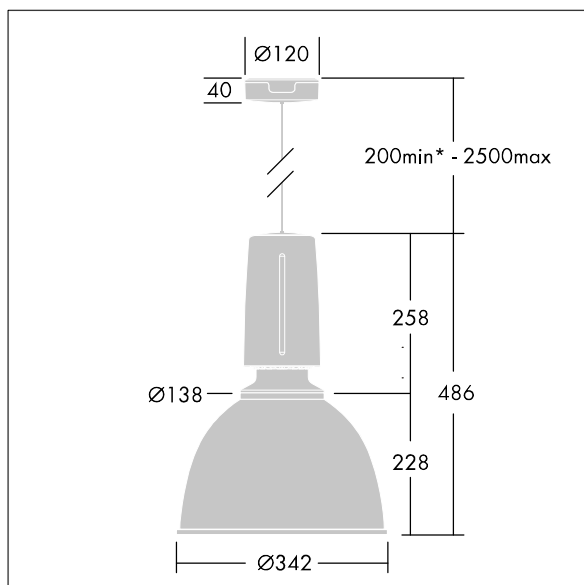
A modern and efficient LED pendant luminaire. Electronic, Wireless connection via app with Bluetooth® 4.x - basicDIM Wireless suitable for central battery emergency installations. Housing: die-cast aluminium with satin grey finish. Reflector: prismatic glass with easy bayonet mount connection to housing. Class I electrical, IP20. Suspended via adjustable quick-lock 2.5m single wire suspension (supplied). Pre-wired with braided, flame retardant silicone cable, 5 x 0.75mm<sup>2</sup>. Complete with 3000K LED

Radio definition: basicDIM Wireless - Bluetooth® 4.x,  
Radio frequency: 2.4...2.483 GHz, Radio power: +4 dBm.

Dimensions: Ø340/140 x 485 mm  
Luminaire input power: 72 W  
Weight: 6.8 kg



TLG\_GLCL\_F\_L\_GYGLPR.jpg



TLG\_GLCR\_M\_LED.wmf

This product contains a light source of energy efficiency class D.

All values marked with an \* are rated values. Thorn uses tried and tested components from leading suppliers, however there may be isolated instances of technology-related failures of individual LEDs during the rated product lifetime. International standards set the tolerance in initial flux and connected load at ±10%. Unless stated otherwise, the values apply to an ambient temperature of 25°C.

Thorn Lighting is constantly developing and improving its products. The right is reserved to change specifications without prior notification or public announcement.  
© Thorn Lighting

## Glacier II

96632163 GLAC2 L LED2 9500-830 BC EC GY GL PR

THORN