

96632118 TR 24L105 740 NR-S BS 3550 CL1 FD MCA ->

ISO 9223 C5		IP66	IK10						T <sub>a</sub> 25
----------------	--	------	------	--	--	--	--	--	-------------------

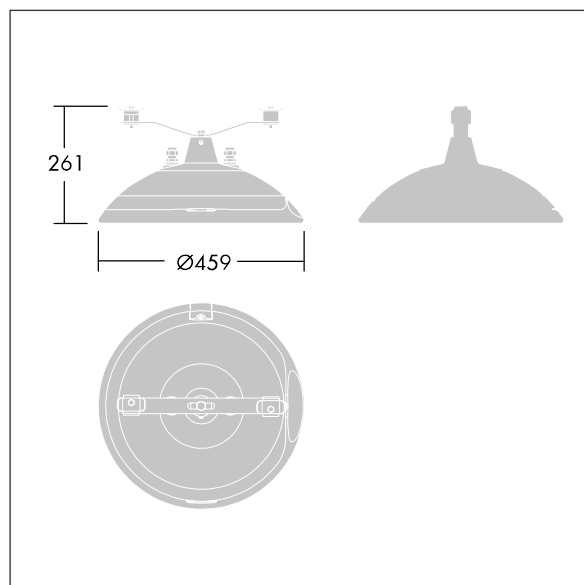
## Thor

A small size, smart urban LED lantern with 24 LEDs driven at 1,05A with narrow road symmetrical optic and die-cast aluminium EN AC 47100 + CAT dome with anthracite finish (close to RAL7043). Class I electrical, IP66, IK10. Body: die-cast aluminium (EN AC 46100) treated against corrosion, powder coated anthracite (close to RAL7043). Enclosure: 6mm toughened flat glass. Screws and closing set: stainless steel. Catenary mounted Equipped with 50% power reduction circuit, effective 3 hours before and 5 hours after a calculated midnight. It can be deactivated at installation with an easily accessible internal switch. Complete with 4000K LED.

Dimensions: Ø459 x 261 mm  
 Luminaire input power: 79 W  
 Luminaire luminous flux: 10183 lm  
 Luminaire efficacy: 129 lm/W  
 Weight: 8.6 kg  
 Scx: 0.035 m<sup>2</sup>



TLG\_THOR\_F\_SMCA.jpg



TLG\_THOR\_M\_MCA.wmf

This product contains a light source of energy efficiency class D.