

96276882 VICIA1 12L105-740 NR BP 3550 HFX CL2 ->



## Victoria

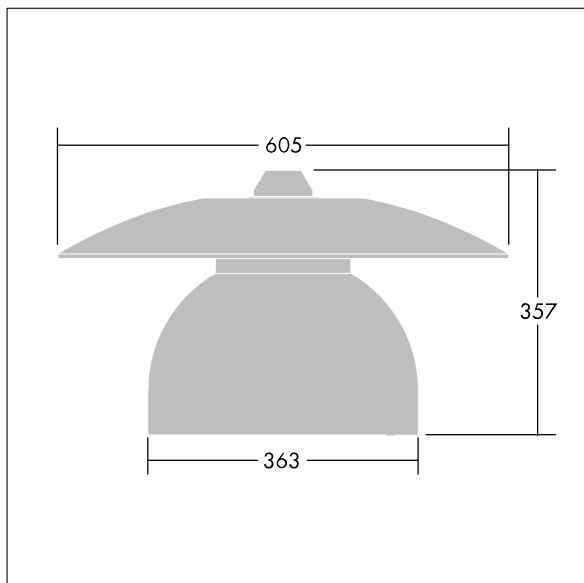
A small size LED street and urban luminaire, in a modern and timeless design. 12 LEDs driven at 1,05A with Narrow Road optic. DALI dimmable LED driver. Class II electrical, IP65. Body in aluminium, powder coated Traffic white RAL9016. Enclosure: toughened flat glass. Luminaire to be suspended using brackets (Ø27G), post top, or wall mounted. Tool-free electrical connection via 2 x 2.5 mm<sup>2</sup> terminal block. Equipped with 50% power reduction circuit, effective 3 hours before and 5 hours after a calculated midnight. Pre-wired with 8m, 4 core cable. Complete with 4000K LED

Must be used in conjunction with a canopy (see Victoria Canopies section), to be ordered separately.

Dimensions: Ø605 x 355 mm  
 Luminaire input power: 48 W  
 Weight: 5.66 kg  
 Scx: 0.144 m<sup>2</sup>



TLG\_VCTA\_F\_PDB.jpg



TLG\_VCTA\_M\_SWLD1.wmf

This product contains light sources of energy efficiency classes D, F.

**Victoria**

**96276882 VICIA1 12L105-740 NR BP 3550 HFX CL2 ->**

**THORN**