

96668651 PLD D 18L35-740 R/S BS 3550 T60 CL2 GY



## Plurio

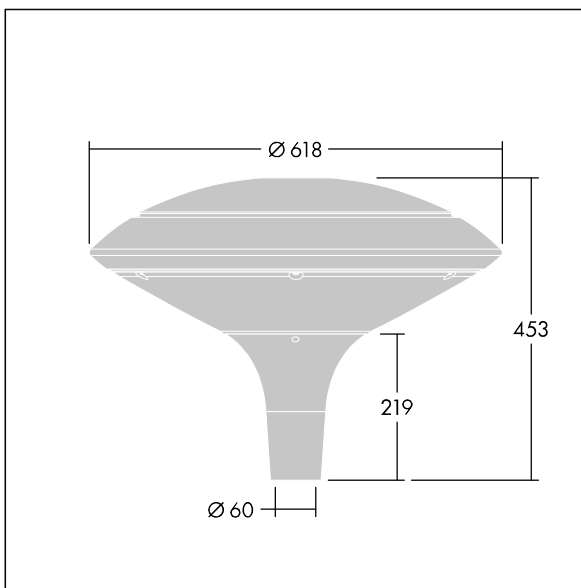
Plurio Direct: A decorative post-top LED lantern with radially symmetric distribution. LED driver with 18 LEDs driven at 350mA. Class II electrical, IP66, IK08. Base: cast aluminium, powder coated silver-grey. Canopy: disc shape, aluminium, textured silver-grey. Diffuser: UV stabilised, clear polycarbonate with anti-glare prisms. Direct, lens based optic with internal reflector. Equipped with 50% power reduction circuit, effective 3 hours before and 5 hours after a calculated midnight. It can be deactivated at installation with an easily accessible internal switch. Complete with 4000K LED. Post top mounting to Ø60mm column.

Upward lighting emissions below 1%.

Dimensions: Ø618 x 453 mm  
 Luminaire input power: 19.7 W  
 Luminaire luminous flux: 2727 lm  
 Luminaire efficacy: 138 lm/W  
 Weight: 11 kg  
 Scx: 0.151 m<sup>2</sup>



TLG\_PLRL\_F\_DDC\_GY.jpg



TLG\_PLRL\_M\_DDC\_T60.wmf

This product contains a light source of energy efficiency class D.

All values marked with an \* are rated values. Thorn uses tried and tested components from leading suppliers, however there may be isolated instances of technology-related failures of individual LEDs during the rated product lifetime. International standards set the tolerance in initial flux and connected load at ±10%. Unless stated otherwise, the values apply to an ambient temperature of 25°C.

**Plurio**

**96668651 PLD D 18L35-740 R/S BS 3550 T60 CL2 GY**

**THORN**