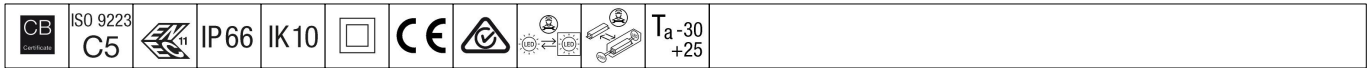


Flow

92908999 FW 24L70 730 WSC HFX CL2 MTPA ANT



Flow

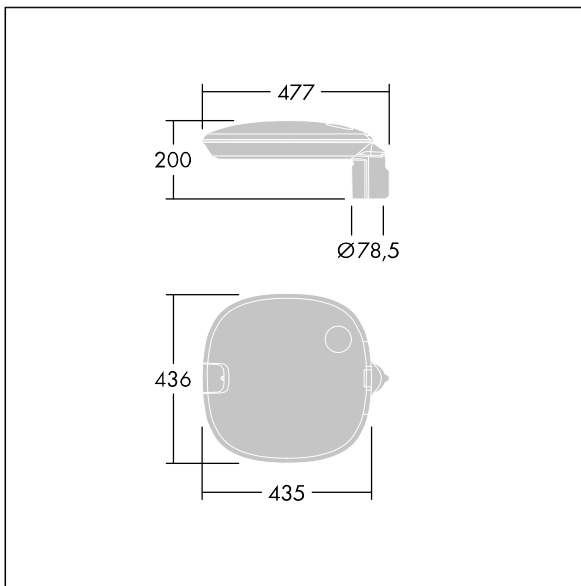
A highly versatile LED lantern with a Wide Street Comfort distribution distribution. Electronic, DALI dimmable control gear driving 24 LEDs at 700mA. Compatible with PL, LRT, 7 pin Nema socket. Class II electrical, IP66, IK10. Housing, canopy and spigot: die-cast aluminium (EN AC-47100) powder coated anthracite (close to RAL7043).. Enclosure: 6mm thick clear glass. DALI controllable with additional signal cables.. Complete with 3000K LED. Post top mounting to Ø60mm column.

Surge protection: 10kV single pulse common mode and 8kV multipulse common mode and 6kV multipulse differential mode. If permanent DALI system is connected, 6kV multipulse common and differential mode.

Dimensions: 435 x 436 x 200 mm
 Luminaire input power: 52 W
 Luminaire luminous flux: 6694 lm
 Luminaire efficacy: 129 lm/W
 Weight: 12.36 kg
 Scx: 0.054 m²



TLG_FLOW_F_MTP_CL.jpg



TLG_FLOW_M_MTP60.wmf

This product contains light sources of energy efficiency classes D, E.

All values marked with an * are rated values. Thorn uses tried and tested components from leading suppliers, however there may be isolated instances of technology-related failures of individual LEDs during the rated product lifetime. International standards set the tolerance in initial flux and connected load at ±10%. Unless stated otherwise, the values apply to an ambient temperature of 25°C.

Flow

92908999 FW 24L70 730 WSC HFX CL2 MTPA ANT

THORN