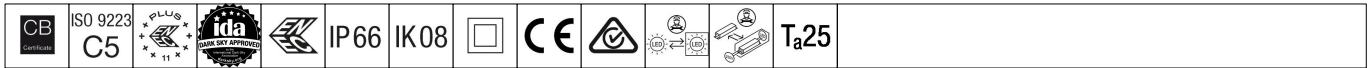


Plurio

THORN

92916460 PLI F 24L35-722 R/S BS 3550 T60 CL2 ->



Plurio

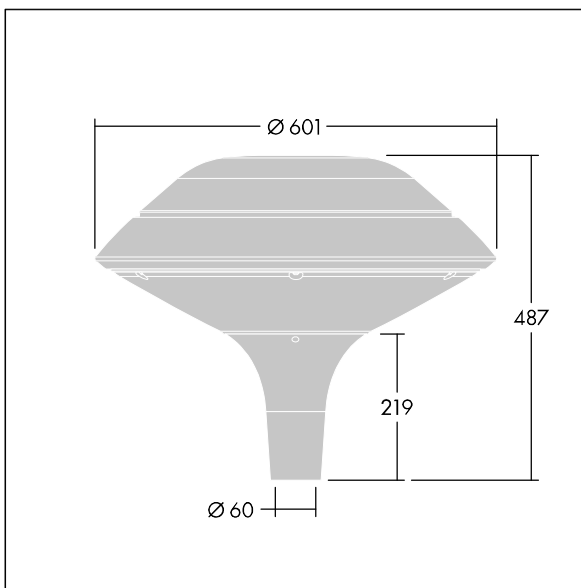
Plurio Indirect: A decorative post-top LED lantern with radially symmetric distribution. LED driver with 24 LEDs driven at 350mA. Class II electrical, IP66, IK08. Base: cast aluminium, powder coated light grey 150 (close to RAL9006). Canopy: flat shape, aluminium, textured light grey 150 (close to RAL9006). Diffuser: UV stabilised, clear polycarbonate with anti-glare prisms. Indirect, reflector based optic. Equipped with 50% power reduction circuit, effective 3 hours before and 5 hours after a calculated midnight. It can be deactivated at installation with an easily accessible internal switch. Complete with 2200K LED. Post top mounting to Ø60mm column. Pre-wired with 4m cable.

Upward lighting emissions below 1%.

Dimensions: Ø601 x 487 mm
Luminaire input power: 26 W
Luminaire luminous flux: 2494 lm
Luminaire efficacy: 96 lm/W
Weight: 6.7 kg
Scx: 0.167 m²



TLG_PLRL_F_IFC_GY_U0.jpg



TLG_PLRL_M_IFC_T60.wmf

This product contains a light source of energy efficiency class E.

All values marked with an * are rated values. Thorn uses tried and tested components from leading suppliers, however there may be isolated instances of technology-related failures of individual LEDs during the rated product lifetime. International standards set the tolerance in initial flux and connected load at ±10%. Unless stated otherwise, the values apply to an ambient temperature of 25°C.

Thorn Lighting is constantly developing and improving its products. The right is reserved to change specifications without prior notification or public announcement.
© Thorn Lighting

Plurio

92916460 PLI F 24L35-722 R/S BS 3550 T60 CL2 ->

THORN