

## Contrast

96633451 CONT3 12L70 RGBW NB BC 6K ANT

ISO 9223 C5	IP66	IK08							T <sub>a</sub> -20 +25
----------------	------	------	--	--	--	--	--	--	---------------------------

### Contrast

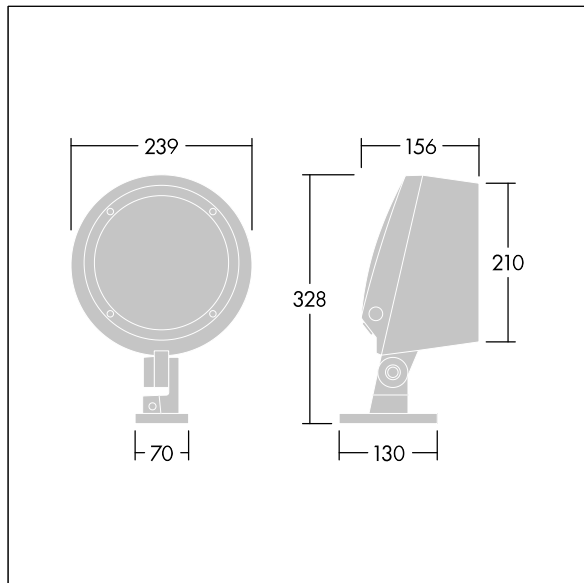
A medium architectural Bracket mounted LED floodlight with 12 LEDs driven at 700mA and a narrow beam distribution. LED driver, Wireless connection via app with Bluetooth® 4.x - basicDIM Wireless. Class II electrical, IP66, IK08. Body: die-cast, powder coated, textured anthracite (close to RAL7043). Compatible with coastal environments. Glass: tempered, 5mm thick. Gasket: EPDM. Screws: geomet. Equipped with 10kV / 10kA surge protection device. Complete with RGBW LEDs (White = 830)

Radio definition: basicDIM Wireless - Bluetooth® 4.x,  
Radio frequency: 2.4...2.483 GHz, Radio power: +4 dBm

Dimensions: Ø239 x 156 mm  
Luminaire input power: 32 W  
Luminaire luminous flux: 1641 lm  
Luminaire efficacy: 51 lm/W  
Weight: 5.12 kg



TLG\_CON3\_F\_S\_12L.jpg



TLG\_CONL\_M\_12L.wmf

This product contains a light source of energy efficiency class D.

**Contrast**

**96633451 CONT3 12L70 RGBW NB BC 6K ANT**

**THORN**