

Contrast

96633531 CONT3 36L70 722-840 NB BC 6K ANT

| | | | | | | | | | |
|----------------|--|------|------|--|--|--|--|--|---------------------------|
| ISO 9223 C5 | | IP66 | IK08 | | | | | | T _a -20 +35 |
|----------------|--|------|------|--|--|--|--|--|---------------------------|

Contrast

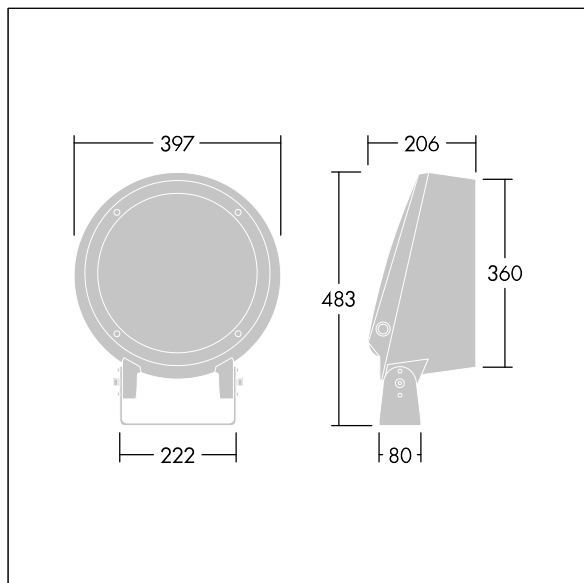
A large architectural Bracket mounted LED floodlight with 36 LEDs driven at 1050mA and a narrow beam distribution. „ Class II electrical, IP66, IK08. Body: die-cast, powder coated, textured anthracite (close to RAL7043). Compatible with coastal environments. Glass: tempered, 5mm thick. Gasket: EPDM. Screws: geomet. Equipped with 10kV / 10kA surge protection device. Complete with 2200-4000K balanced white LEDs

Dimensions: Ø397 x 206 mm
Luminaire input power: 6 W

Weight: 13.2 kg



TLG_CON3_F_M_36L.jpg



TLG_CONL_M_36-52L.wmf

This product contains a light source of energy efficiency class E.

Contrast

96633531 CONT3 36L70 722-840 NB BC 6K ANT

THORN