

Contrast

THORN

96633462 CONT3 36L70 RGBW NB BC 6K ANT

ISO 9223 C5	IP66	IK08						T _a -20 +25
----------------	------	------	--	--	--	--	--	---------------------------

Contrast

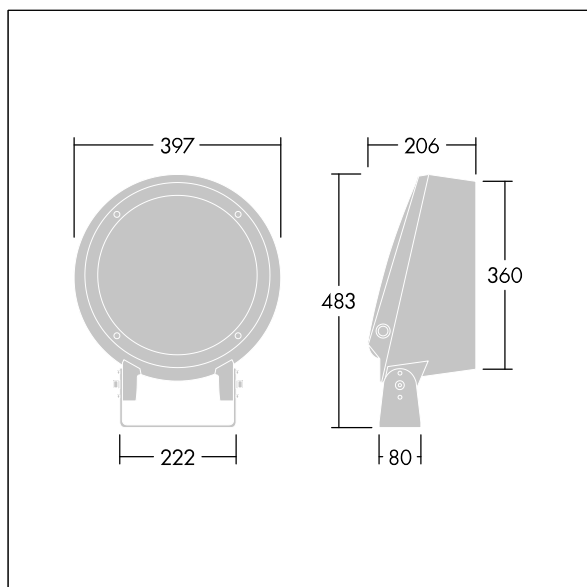
A large architectural Bracket mounted LED floodlight with 36 LEDs driven at 700mA and a narrow beam distribution. LED driver, Wireless connection via app with Bluetooth® 4.x - basicDIM Wireless. Class II electrical, IP66, IK08. Body: die-cast, powder coated, textured anthracite (close to RAL7043). Compatible with coastal environments. Glass: tempered, 5mm thick. Gasket: EPDM. Screws: geomet. Equipped with 10kV / 10kA surge protection device. Complete with RGBW LEDs (White = 830)

Radio definition: basicDIM Wireless - Bluetooth® 4.x,
Radio frequency: 2.4...2.483 GHz, Radio power: +4 dBm

Dimensions: Ø397 x 206 mm
Luminaire input power: 80 W
Luminaire luminous flux: 5030 lm
Luminaire efficacy: 63 lm/W
Weight: 12.44 kg



TLG_CON3_F_M_36L.jpg



TLG_CONL_M_36-52L.wmf

This product contains a light source of energy efficiency class D.

All values marked with an * are rated values. Thorn uses tried and tested components from leading suppliers, however there may be isolated instances of technology-related failures of individual LEDs during the rated product lifetime. International standards set the tolerance in initial flux and connected load at ±10%. Unless stated otherwise, the values apply to an ambient temperature of 25°C.

Thorn Lighting is constantly developing and improving its products. The right is reserved to change specifications without prior notification or public announcement.
© Thorn Lighting

Contrast

96633462 CONT3 36L70 RGBW NB BC 6K ANT

THORN