

Thor

THORN

96635121 TR 12L50 740 NR CL1 W8 ZU FD T60E ANT

ISO 9223 C5	IP66	IK10	⊕	CE	⚡	🔧	🔧	Ta25
----------------	------	------	---	----	---	---	---	------

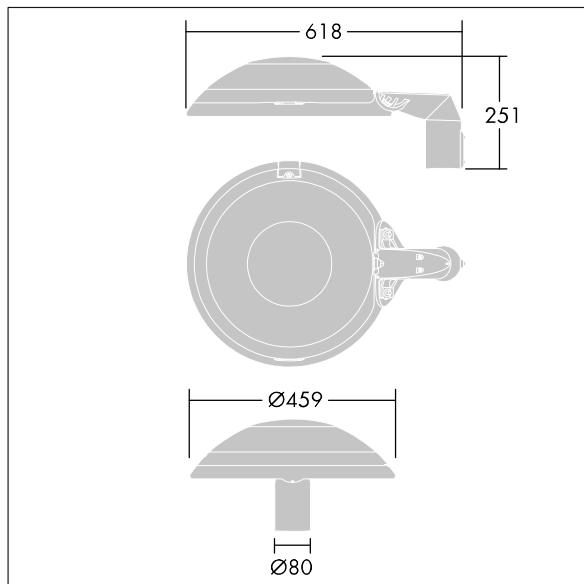
Thor

A small size, smart urban LED lantern with 12 LEDs driven at 500mA with narrow road optic and die-cast aluminium EN AC 47100 + CAT dome with anthracite finish (close to RAL7043). Class I electrical, IP66, IK10. Body: die-cast aluminium (EN AC 47100 + CAT) treated against corrosion, powder coated anthracite (close to RAL7043), bracket: die-cast aluminium (EN AC-47100 + CAT) treated against corrosion, powder coated anthracite (close to RAL7043). Enclosure: 6mm toughened flat glass. Screws and closing set: stainless steel. Pre-wired with 8m cable. Post top mounting to Ø60mm column, tilt 0°, adjustable from -15° to +10°. Equipped with Zhaga socket up. Complete with 4000K LED.

Dimensions: 618 x 459 x 251 mm
Luminaire input power: 21 W
Luminaire luminous flux: 2857 lm
Luminaire efficacy: 136 lm/W
Weight: 10.9 kg
Scx: 0.038 m²



TLG_THOR_F_SMTPFDF.jpg



TLG_THOR_M_MTP.wmf

This product contains a light source of energy efficiency class D.

All values marked with an * are rated values. Thorn uses tried and tested components from leading suppliers, however there may be isolated instances of technology-related failures of individual LEDs during the rated product lifetime. International standards set the tolerance in initial flux and connected load at ±10%. Unless stated otherwise, the values apply to an ambient temperature of 25°C.

Thorn Lighting is constantly developing and improving its products. The right is reserved to change specifications without prior notification or public announcement.
© Thorn Lighting

Thor

96635121 TR 12L50 740 NR CL1 W8 ZU FD T60E ANT

THORN