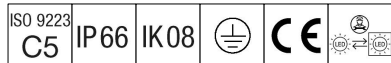


GTLED Pro

THORN

96668966 GP AL MS 48L-740 NR-A IN CL1



GTLED Pro

An advanced LED tunnel luminaire. 48 LEDs with NR-A: Narrow Road (asymmetrical). Body: extruded aluminium, powder coated white (RAL 9016). Enclosure: 4mm toughened glass. To be ceiling mounted with specific brackets to be ordered separately. Class I electrical, IP66, IK08. Fitted with connector at one end. Complete with 4000K LED.

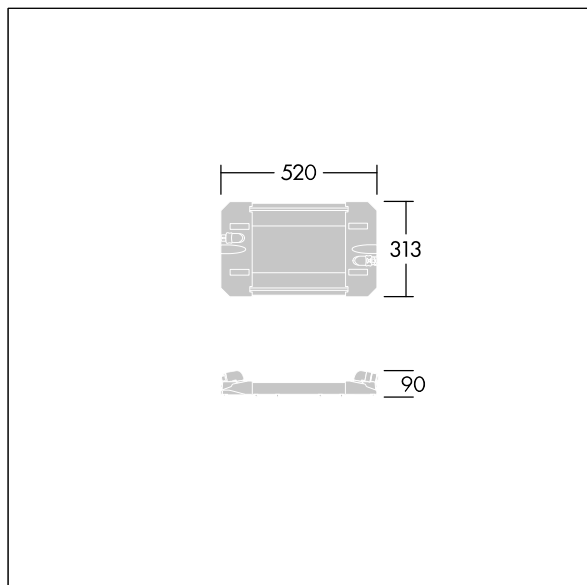
Used in conjunction with remote gear box (to be ordered separately). Supply current and lumen output are dependant on settings used.

Due to the unique calculation requirements of this product the photometric data is not provided here but design advice may be obtained from your local representative.

Dimensions: 520 x 313 x 90 mm
Weight: 6.49 kg



TLG_GTPR_F_216.jpg



TLG_GTPR_M_MS.wmf

This product contains a light source of energy efficiency class D.

All values marked with an * are rated values. Unless stated otherwise, the values apply to an ambient temperature of 25°C.

Thorn Lighting is constantly developing and improving its products. The right is reserved to change specifications without prior notification or public announcement.
© Thorn Lighting