

## Contrast

96635269 CONT3 36L70 BU NB HFX 6K ANT

ISO 9223 C5	IP66	IK08						T <sub>a</sub> -20 +35
----------------	------	------	--	--	--	--	--	---------------------------

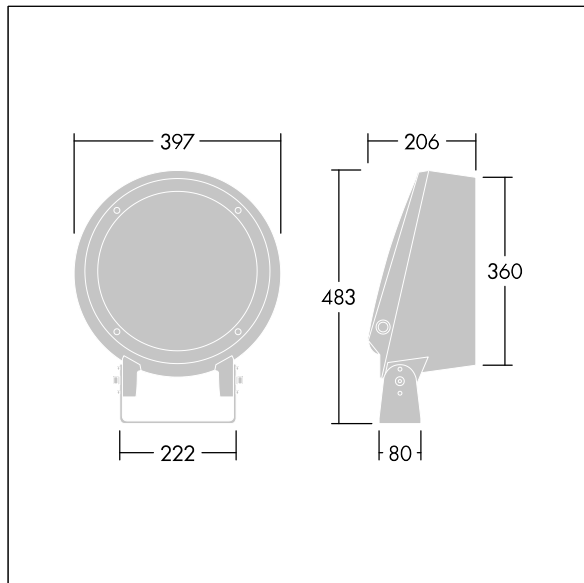
### Contrast

A large architectural floodlight LED floodlight with 36 LEDs driven at 700mA and a narrow beam distribution. LED driver, DALI-2 dimmable. Class II electrical, IP66, IK08. Body: die-cast, powder coated, textured anthracite (close to RAL7043). Compatible with coastal environments. Glass: tempered, 5mm thick. Gasket: EPDM. Screws: geomet. Complete with blue LED

Dimensions: Ø397 x 206 mm  
 Luminaire input power: 81 W  
 Luminaire luminous flux: 2155 lm  
 Luminaire efficacy: 27 lm/W  
 Weight: 12.5 kg



TLG\_CON3\_F\_M\_36L.jpg



TLG\_CONL\_M\_36-52L.wmf

All values marked with an \* are rated values. Thorn uses tried and tested components from leading suppliers, however there may be isolated instances of technology-related failures of individual LEDs during the rated product lifetime. International standards set the tolerance in initial flux and connected load at ±10%. Unless stated otherwise, the values apply to an ambient temperature of 25°C.