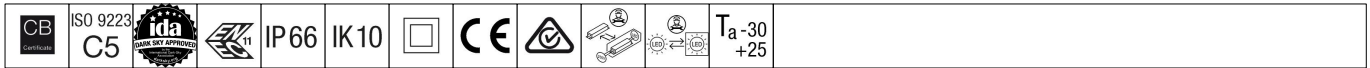


# Flow

# THORN

92948219 FW 12L35 730 NR2 PR SP CL2 MTPA ANT



## Flow

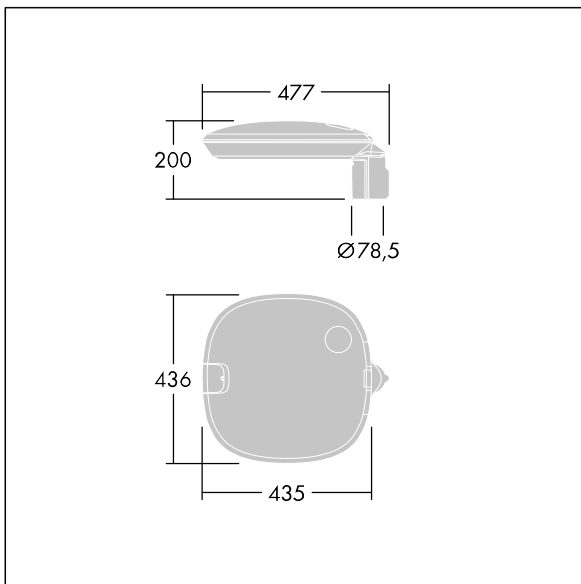
A highly versatile LED lantern with a tight road distribution. Electronic, DALI dimmable control gear driving 12 LEDs at 350mA. Compatible with PL, LRT, 7 pin Nema socket. Class II electrical, IP66, IK10. Housing, canopy and spigot: die-cast aluminium (EN AC-47100) powder coated anthracite (close to RAL7043).. Enclosure: 6mm thick clear glass.. Complete with 3000K LED. Post top mounting to Ø60mm column.

Surge protection: 10kV single pulse common mode and 8kV multipulse common mode and 6kV multipulse differential mode. If permanent DALI system is connected, 6kV multipulse common and differential mode.

Dimensions: 435 x 436 x 200 mm  
Luminaire input power: 15 W  
Luminaire luminous flux: 1854 lm  
Luminaire efficacy: 124 lm/W  
Weight: 12.26 kg  
Scx: 0.054 m<sup>2</sup>



TLG\_FLOW\_F\_PDB\_CL.jpg



TLG\_FLOW\_M\_MTP60.wmf

This product contains a light source of energy efficiency class D.

All values marked with an \* are rated values. Thorn uses tried and tested components from leading suppliers, however there may be isolated instances of technology-related failures of individual LEDs during the rated product lifetime. International standards set the tolerance in initial flux and connected load at ±10%. Unless stated otherwise, the values apply to an ambient temperature of 25°C.

Thorn Lighting is constantly developing and improving its products. The right is reserved to change specifications without prior notification or public announcement. © Thorn Lighting

**Flow**

**92948219 FW 12L35 730 NR2 PR SP CL2 MTPA ANT**

**THORN**