

Escort

THORN

96636197 ESCORT 800 840 HF E3

| | | | | | | | | | | |
|------|------|---|----|---|-----|---|---|-------|-------------------|--|
| IP65 | IK10 | ⊕ | CE | ⚡ | EAC | ✂ | ⊗ | 850°C | T _a 25 | |
|------|------|---|----|---|-----|---|---|-------|-------------------|--|

Escort

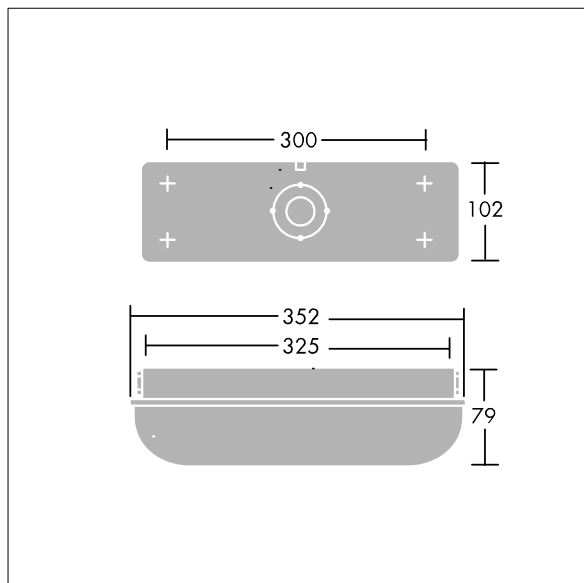
A self-contained, IP65, weatherproof bulkhead luminaire. Electronic, fixed output control gear with 3 hour, manual test, emergency lighting circuit. Durable, white, stove enamelled die-cast aluminium body and opal polycarbonate diffuser with vandal resistant screw fixings (Type T25 TORX screwdriver required). Suitable for interior and exterior industrial or public amenity usage. Complete with 4000K LED

ambient temperature: 0°C to +25°C

Dimensions: 352 x 102 x 79 mm
Luminaire input power: 7.3 W
Luminaire luminous flux: 800 lm
Luminaire efficacy: 110 lm/W
Weight: 1.3 kg



TLG_ESCT_F_LEDPDB.jpg



TLG_ESCT_M_LEDLD1.wmf

This product contains a light source of energy efficiency class C.

All values marked with an * are rated values. Thorn uses tried and tested components from leading suppliers, however there may be isolated instances of technology-related failures of individual LEDs during the rated product lifetime. International standards set the tolerance in initial flux and connected load at ±10%. Unless stated otherwise, the values apply to an ambient temperature of 25°C.

Thorn Lighting is constantly developing and improving its products. The right is reserved to change specifications without prior notification or public announcement.
© Thorn Lighting

Escort

96636197 ESCORT 800 840 HF E3

THORN