

Nella

THORN

96636345 NELLA 3000-730 R-S CL2 T60 ANT

IP66 IK08   T_a-20
 $+50$

Nella

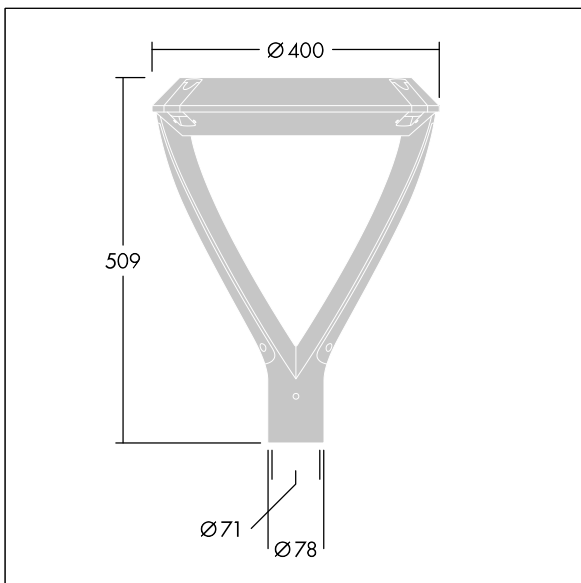
A contemporary design respectful of the environment with zero upward lighting and rotational symmetrical light distribution. Class II electrical, IP66, IK08. Base in die-cast aluminium, powder coated anthracite. Enclosure: tempered glass. Simplified control with a switch button to adapt the lumen output. Supplied complete in one box. Complete with 3000K LED

To be post top mounted on a spigot of $\varnothing 60$ mm, length 65mm at a recommended height of 3 to 4,5m. Pre-wired with 4 meter cable for ease of installation

Dimensions: $\varnothing 78/400 \times 509$ mm
Total luminous flux: 3642 lm
Luminaire input power: 29.5 W
Weight: 10 kg
Scx : 0.11m²



TLG_NELLA_F_1.jpg



TLG_NELLA_M_Front.wmf

This product contains a light source of energy efficiency class C.

All values marked with an * are rated values. Thorn uses tried and tested components from leading suppliers, however there may be isolated instances of technology-related failures of individual LEDs during the rated product lifetime. International standards set the tolerance in initial flux and connected load at $\pm 10\%$. Unless stated otherwise, the values apply to an ambient temperature of 25°C.

Thorn Lighting is constantly developing and improving its products. The right is reserved to change specifications without prior notification or public announcement.
© Thorn Lighting