



# Nella

# THORN

96636346 NELLA 3000-730 STR-A CL2 T60 ANT

IP66	IK08			T <sub>a</sub> -20 +50
------	------	---	---	---------------------------

## Nella

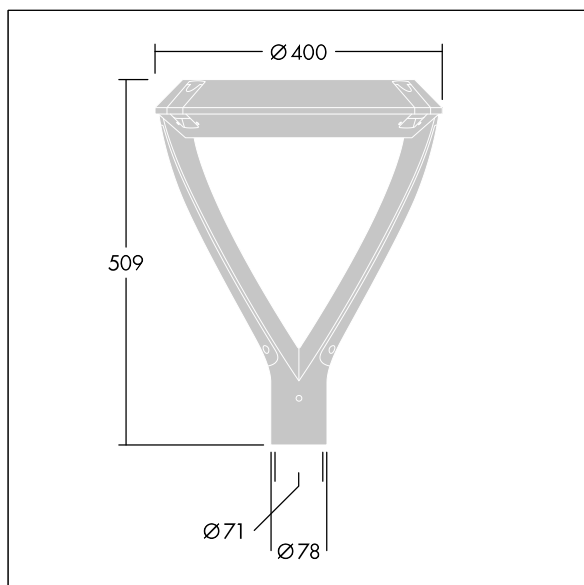
A contemporary design respectful of the environment with zero upward lighting and asymmetrical street light distribution. Class II electrical, IP66, IK08. Base in die-cast aluminium, powder coated anthracite. Enclosure: tempered glass. Simplified control with a switch button to adapt the lumen output. Supplied complete in one box. Complete with 3000K LED

To be post top mounted on a spigot of Ø60mm, length 65mm at a recommended height of 3 to 4,5m. Pre-wired with 4 meter cable for ease of installation

Dimensions: Ø78/400 x 509 mm  
Total luminous flux: 3156 lm  
Luminaire input power: 29.2 W  
Weight: 10 kg  
Scx : 0.11m<sup>2</sup>



TLG\_NELLA\_F\_1.jpg



TLG\_NELLA\_M\_Front.wmf

This product contains a light source of energy efficiency class C.

All values marked with an \* are rated values. Thorn uses tried and tested components from leading suppliers, however there may be isolated instances of technology-related failures of individual LEDs during the rated product lifetime. International standards set the tolerance in initial flux and connected load at ±10%. Unless stated otherwise, the values apply to an ambient temperature of 25°C.

Thorn Lighting is constantly developing and improving its products. The right is reserved to change specifications without prior notification or public announcement.  
© Thorn Lighting