

Contrast

96636398 CONT3 12L70 RGBW NB HFX 6K ANT

ISO 9223 C5	IP66	IK08							T _a -20 +25
----------------	------	------	--	--	--	--	--	--	---------------------------

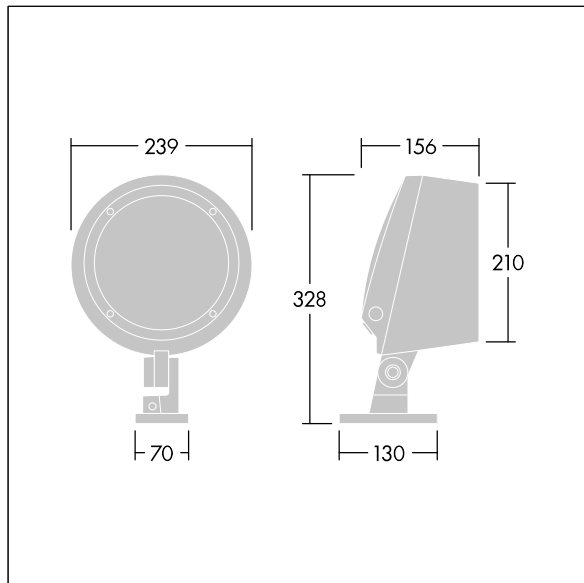
Contrast

A medium architectural floodlight LED floodlight with 12 LEDs driven at 700mA and a narrow beam distribution. LED driver, DALI-2 dimmable. Class II electrical, IP66, IK08. Body: die-cast, powder coated, textured anthracite (close to RAL7043). Compatible with coastal environments. Glass: tempered, 5mm thick. Gasket: EPDM. Screws: geomet. Complete with RGBW LEDs (White = 830)

Dimensions: Ø239 x 156 mm
 Luminaire input power: 32 W
 Luminaire luminous flux: 1641 lm
 Luminaire efficacy: 51 lm/W
 Weight: 5.18 kg



TLG_CON3_F_S_12L.jpg



TLG_CONL_M_12L.wmf

This product contains a light source of energy efficiency class D.

All values marked with an * are rated values. Thorn uses tried and tested components from leading suppliers, however there may be isolated instances of technology-related failures of individual LEDs during the rated product lifetime. International standards set the tolerance in initial flux and connected load at ±10%. Unless stated otherwise, the values apply to an ambient temperature of 25°C.

Contrast

96636398 CONT3 12L70 RGBW NB HFX 6K ANT

THORN