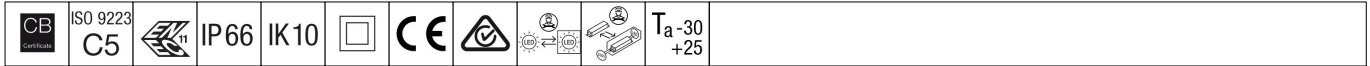


Flow

93920928 FW 24L50-730 NR-S BP 3550 CL2 MCA ANT ->



Flow

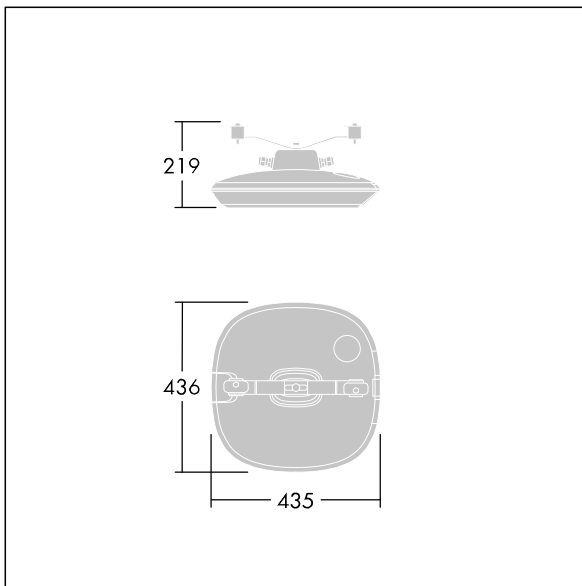
A highly versatile LED lantern with a narrow road symmetrical distribution. Electronic, DALI dimmable control gear driving 24 LEDs at 500mA. Compatible with PL, LRT, 7 pin Nema socket. Class II electrical, IP66, IK10. Housing, canopy and spigot: die-cast aluminium (EN AC-47100) powder coated anthracite (close to RAL7043).. Enclosure: 6mm thick clear glass. BPxyzz: Autonomous bi-power reduction (x: hours before midnight, y: hours after midnight, zz: reduction (%)). Complete with 3000K LED. Catenary mounted

Surge protection: 10kV single pulse common mode and 8kV multipulse common mode and 6kV multipulse differential mode. If permanent DALI system is connected, 6kV multipulse common and differential mode.

Dimensions: 435 x 436 x 219 mm
 Luminaire input power: 38 W
 Luminaire luminous flux: 4952 lm
 Luminaire efficacy: 130 lm/W
 Weight: 8.35 kg
 Scx: 0.054 m²



TLG_FLOW_F_MCA_CL_3.jpg



TLG_FLOW_M_MCA.wmf

This product contains a light source of energy efficiency class D.

All values marked with an * are rated values. Thorn uses tried and tested components from leading suppliers, however there may be isolated instances of technology-related failures of individual LEDs during the rated product lifetime. International standards set the tolerance in initial flux and connected load at ±10%. Unless stated otherwise, the values apply to an ambient temperature of 25°C.