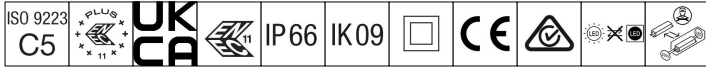


Isaro Pro

THORN

93920931 IP 12L45-730 TSR M BP 3550 CL2 M76 ANT



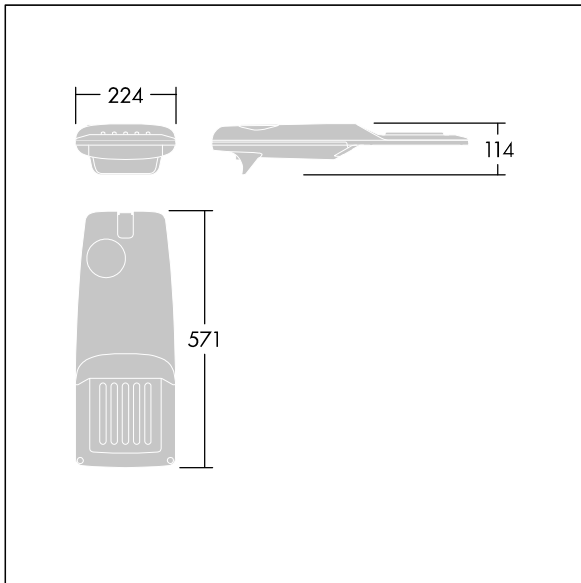
Isaro Pro

A state of the art LED road lighting lantern (small) with 12 LEDs driven at 450mA with Tight Staggered Road optic. Programmable LED driver. Class II electrical, IP66, IK09. Housing: die-cast aluminium (EN AC-44300), powder coated textured Anthracite texturized. Spigot: die-cast aluminium (EN AC-44300), powder coated. Enclosure: 5mm thick glass. Fixings: spring steel. Supplied with Ø76mm spigot adaptor which can be fitted for post-top (0°/5°/10°/15°/20° tilt) or side-entry (-15°/-10°/-5°/0°/5°/10°/15° tilt). BPxyzz: Autonomous bi-power reduction (x: hours before midnight, y: hours after midnight, zz: reduction (%)) LED optical mask lining. Complete with 3000K LED. Surge protection: 10kV single pulse common mode and 8kV multipulse common mode and 6kV multipulse differential mode. If permanent DALI system is connected, 6kV multipulse common and differential mode.

Dimensions: 571 x 224 x 114 mm
Luminaire input power: 16.9 W
Luminaire luminous flux: 2525 lm
Luminaire efficacy: 149 lm/W
Weight: 5.39 kg
Scx: 0.054 m²



TLG_ISRP_F_PDB_SIL.jpg



TLG_ISRP_M_LD1.wmf

This product contains a light source of energy efficiency class D.

All values marked with an * are rated values. Thorn uses tried and tested components from leading suppliers, however there may be isolated instances of technology-related failures of individual LEDs during the rated product lifetime. International standards set the tolerance in initial flux and connected load at ±10%. Unless stated otherwise, the values apply to an ambient temperature of 25°C.

Thorn Lighting is constantly developing and improving its products. The right is reserved to change specifications without prior notification or public announcement.
© Thorn Lighting

Isaro Pro

93920931 IP 12L45-730 TSR M BP 3550 CL2 M76 ANT

THORN